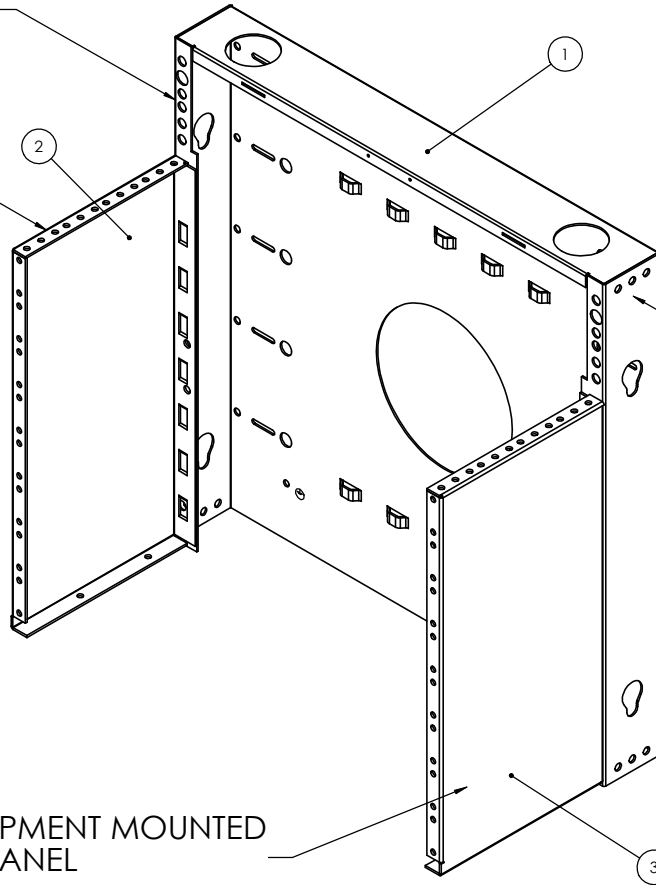


ITEM #	DESCRIPTION	QTY.
1	BACK PLATE	1
2	LEFT SIDE PANEL	1
3	RIGHT SIDE PANEL	1

2U FOR EQUIPMENT MOUNTED  
HORIZONTALLY ON BACK PANEL

4U FOR EQUIPMENT MOUNTED  
VERTICALLY ON SIDE PANELS



2U for EQUIPMENT MOUNTED  
VERTICALLY ON BACK PANEL  
SIDE

ADDITIONAL 8U FOR EQUIPMENT MOUNTED  
HORIZONTALLY ON SIDE PANEL

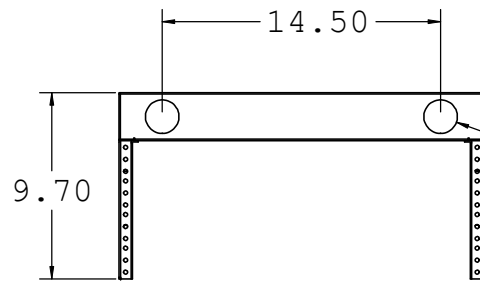
**NOTES:**

1. INSTALLATION MUST COMPLY WITH NATIONAL AND LOCAL ELECTRICAL REGULATIONS.
2. ALL DIMENSIONS ARE IN INCHES.
3. NET WEIGHT OF UNIT IS 17 LBS.
4. CABLE ENTRY IS TOP OR BOTTOM OF UNIT.
5. EQUIPMENT MOUNTING IS 12-24 TAPPED IN EIA PATTERN.
6. CAPACITY IS 400 LBS. WHEN MOUNTED AS RECOMMENDED.
7. CONSTRUCTION IS 14AWG C.R. STEEL WITH BLACK POWDER COAT FINISH.

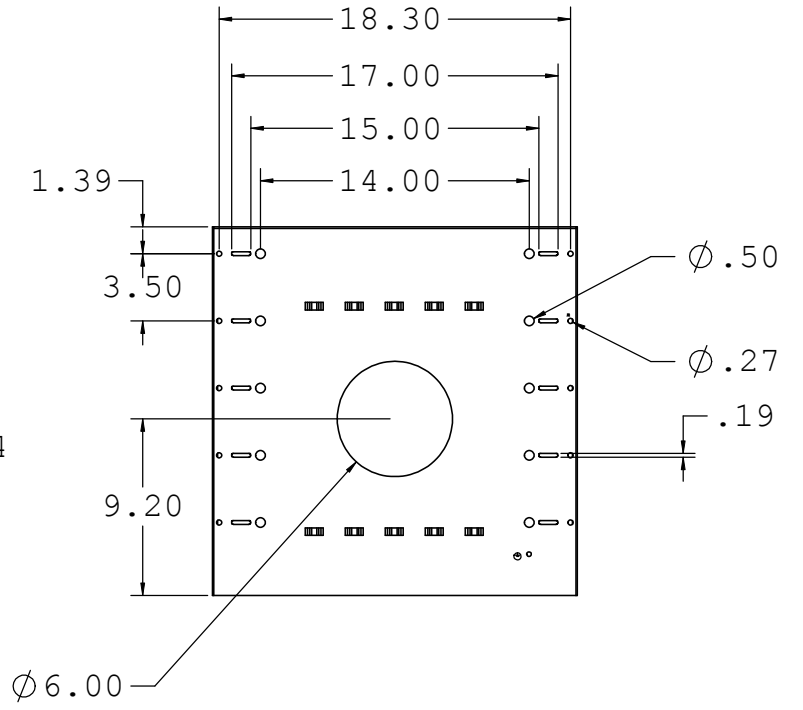
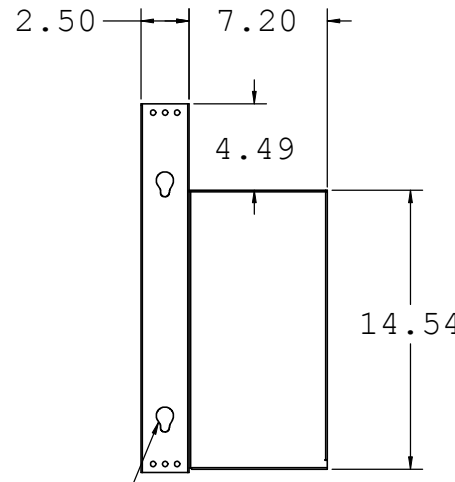
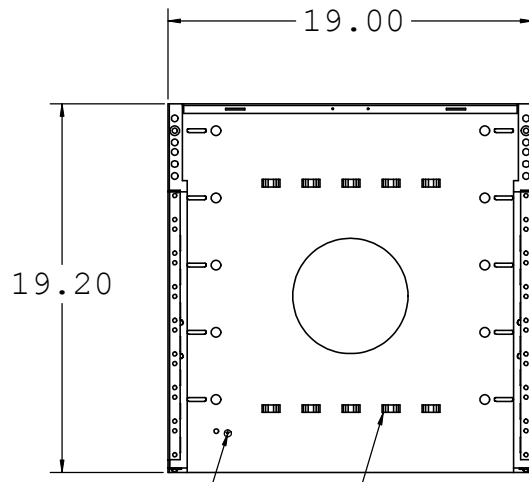


**PROPRIETARY AND CONFIDENTIAL**  
THE INFORMATION CONTAINED IN THIS  
DRAWING IS THE SOLE PROPERTY OF  
BLACKHAWKLABS. ANY REPRODUCTION  
IN PART OR AS A WHOLE WITHOUT  
THE WRITTEN PERMISSION OF  
BLACKHAWKLABS IS PROHIBITED.

COMMENTS:			
MRQ100V06 Sheet 1/2			
TITLE:			
MiniRaQ Standard			
SIZE	DWG. NO.	DATE	REV
<b>C</b>	90-053	3-1-11	1
		DRAWN BY	ML
SCALE: 1:8		WEIGHT: 17 lbs	SHEET 1 OF 2



Ø1.75  
TWO CABLE  
ACCESS HOLES



GROUND STUD

10 RAISED BRIDGE LANCES  
FOR CABLE MANAGEMENT

ALTERNATE ACCESSORY  
MOUNTING HOLES  
(LEFT AND RIGHT SIDE)

- NOTES:**
1. INSTALLATION MUST COMPLY WITH NATIONAL AND LOCAL ELECTRICAL REGULATIONS.
  2. ALL DIMENSIONS ARE IN INCHES.



**PROPRIETARY AND CONFIDENTIAL**  
THE INFORMATION CONTAINED IN THIS DRAWING IS THE SOLE PROPERTY OF BLACKHAWKLABS. ANY REPRODUCTION IN PART OR AS A WHOLE WITHOUT THE WRITTEN PERMISSION OF BLACKHAWKLABS IS PROHIBITED.

COMMENTS:			
MRQ100V06 Sheet 2/2			
TITLE:			
MiniRaQ Standard			
SIZE	DWG. NO.	DATE	REV
<b>C</b>	90-053	3-1-11	1
		DRAWN BY	ML
SCALE: 1:8		WEIGHT: 17 lbs	SHEET 2 OF 2