

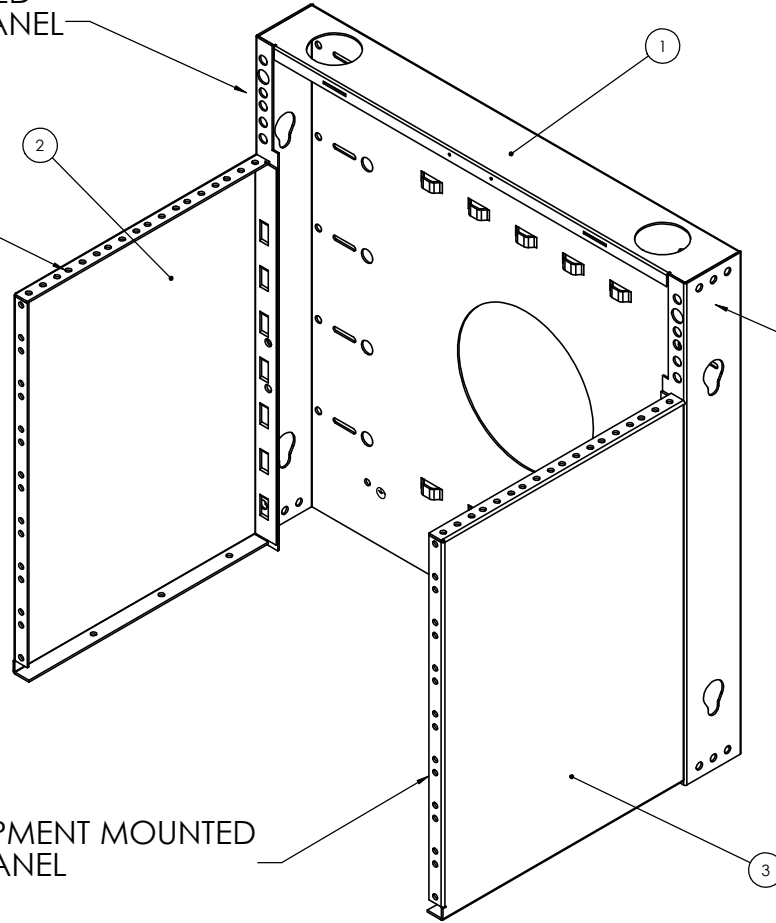
ITEM #	DESCRIPTION	QTY.
1	BACK PLATE	1
2	LEFT SIDE PANEL	1
3	RIGHT SIDE PANEL	1

2U FOR EQUIPMENT MOUNTED
HORIZONTALLY ON BACK PANEL

6U FOR EQUIPMENT MOUNTED
VERTICALLY ON SIDE PANELS

2U FOR EQUIPMENT MOUNTED
VERTICALLY ON BACK PANEL
SIDE

ADDITIONAL 8U FOR EQUIPMENT MOUNTED
HORIZONTALLY ON SIDE PANEL



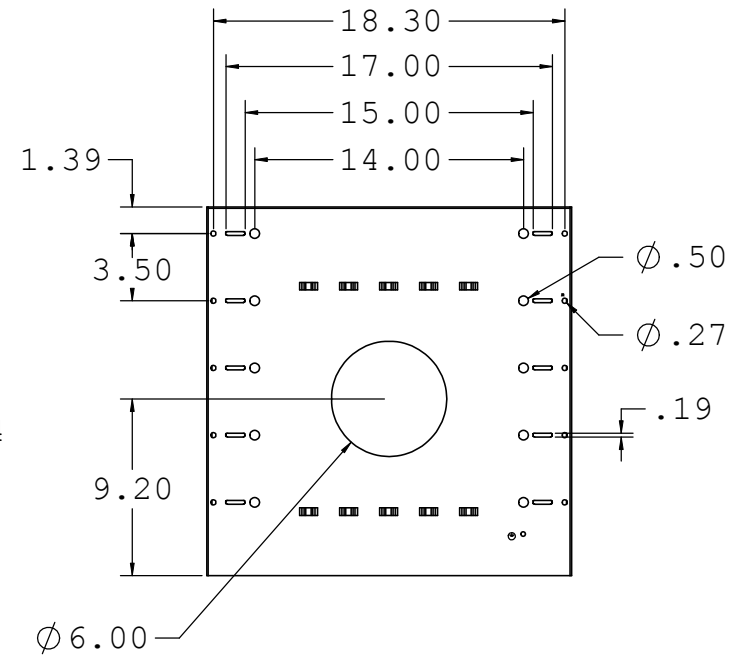
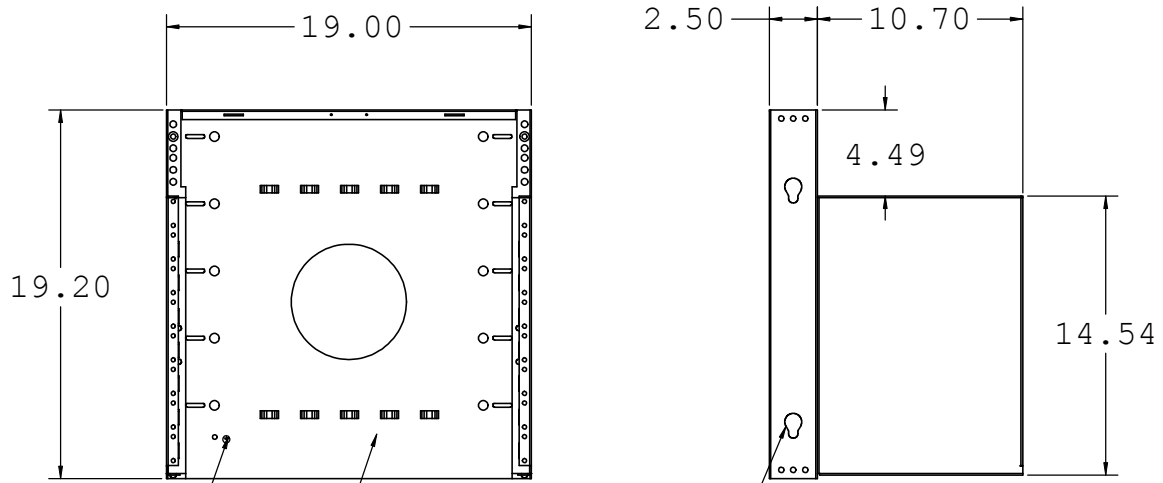
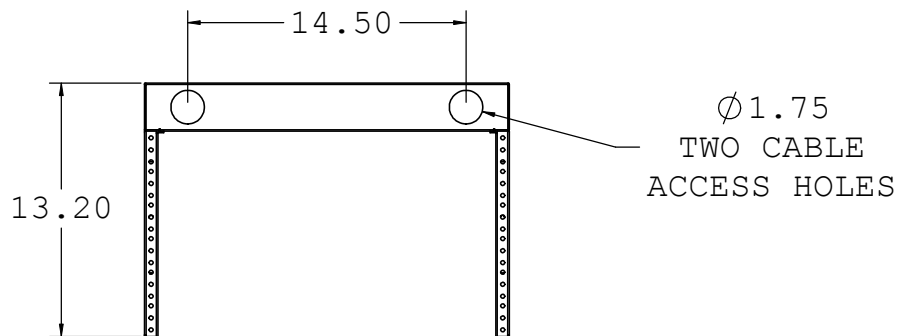
NOTES:

1. INSTALLATION MUST COMPLY WITH NATIONAL AND LOCAL ELECTRICAL REGULATIONS.
2. ALL DIMENSIONS ARE IN INCHES.
3. NET WEIGHT OF UNIT IS 19 LBS.
4. CABLE ENTRY IS TOP OR BOTTOM OF UNIT.
5. EQUIPMENT MOUNTING IS 12-24 TAPPED IN EIA PATTERN.
6. CAPACITY IS 400 LBS. WHEN MOUNTED AS RECOMMENDED.
7. CONSTRUCTION IS 14AWG C.R. STEEL WITH BLACK POWDER COAT FINISH.



PROPRIETARY AND CONFIDENTIAL
THE INFORMATION CONTAINED IN THIS
DRAWING IS THE SOLE PROPERTY OF
BLACKHAWKLABS. ANY REPRODUCTION
IN PART OR AS A WHOLE WITHOUT
THE WRITTEN PERMISSION OF
BLACKHAWKLABS IS PROHIBITED.

COMMENTS:			
MRQ100V08 Sheet 1/2			
TITLE:			
MiniRaQ Standard			
SIZE	DWG. NO.	DATE	REV
C	90-054	2-28-11	1
SCALE: 1:8		WEIGHT: 19 lbs	SHEET 1 OF 2



NOTES:
 1. INSTALLATION MUST COMPLY WITH NATIONAL AND LOCAL ELECTRICAL REGULATIONS.
 2. ALL DIMENSIONS ARE IN INCHES.



PROPRIETARY AND CONFIDENTIAL
 THE INFORMATION CONTAINED IN THIS DRAWING IS THE SOLE PROPERTY OF BLACKHAWKLABS. ANY REPRODUCTION IN PART OR AS A WHOLE WITHOUT THE WRITTEN PERMISSION OF BLACKHAWKLABS IS PROHIBITED.

COMMENTS:			
MRQ100V08 Sheet 2/2			
TITLE: MiniRaQ Standard			
SIZE C	DWG. NO. 90-054	DATE 2-28-11 DRAWN BY ML	REV 1
SCALE: 1:8		WEIGHT: 19 lbs	SHEET 2 OF 2