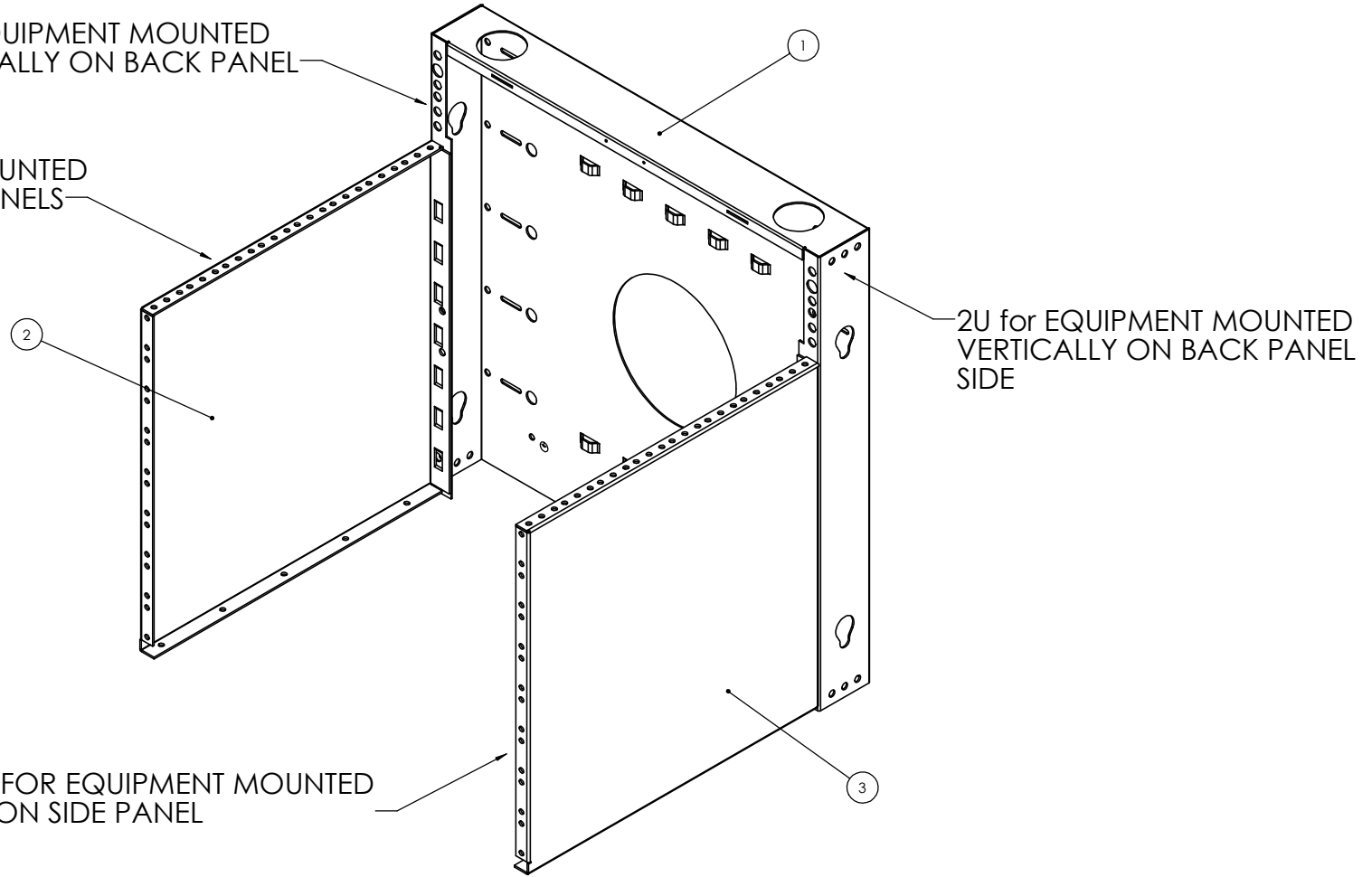


ITEM #	DESCRIPTION	QTY.
1	BACK PLATE	1
2	LEFT SIDE PANEL	1
3	RIGHT SIDE PANEL	1

2U FOR EQUIPMENT MOUNTED
HORIZONTALLY ON BACK PANEL

8U FOR EQUIPMENT MOUNTED
VERTICALLY ON SIDE PANELS



ADDITIONAL 8U FOR EQUIPMENT MOUNTED
HORIZONTALLY ON SIDE PANEL

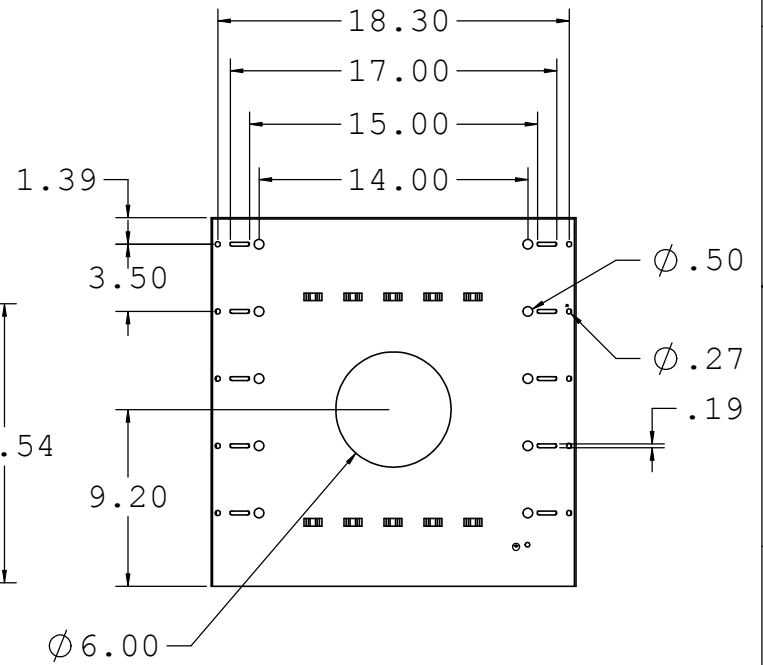
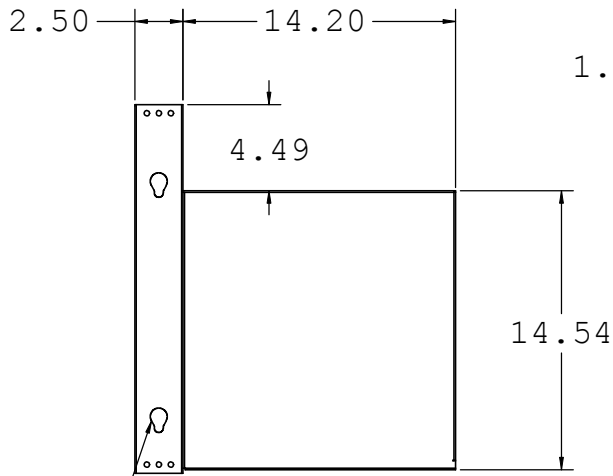
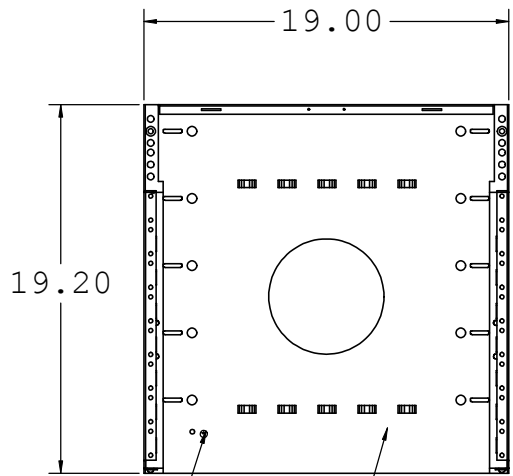
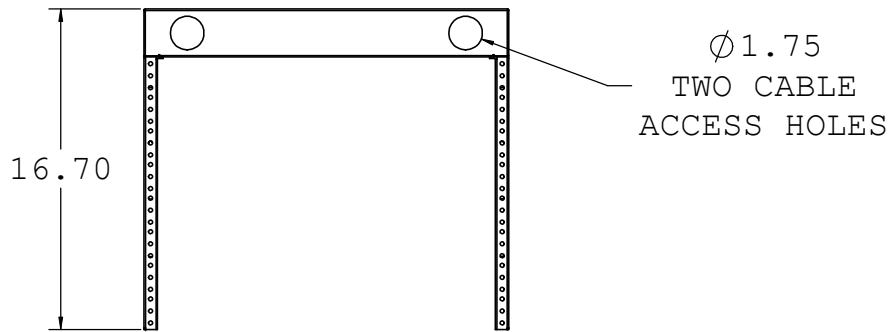
NOTES:

1. INSTALLATION MUST COMPLY WITH NATIONAL AND LOCAL ELECTRICAL REGULATIONS.
2. ALL DIMENSIONS ARE IN INCHES.
3. NET WEIGHT OF UNIT IS 21 LBS.
4. CABLE ENTRY IS TOP OR BOTTOM OF UNIT.
5. EQUIPMENT MOUNTING IS 12-24 TAPPED IN EIA PATTERN.
6. CAPACITY IS 400 LBS. WHEN MOUNTED AS RECOMMENDED.
7. CONSTRUCTION IS 14AWG C.R. STEEL WITH BLACK POWDER COAT FINISH.



PROPRIETARY AND CONFIDENTIAL
THE INFORMATION CONTAINED IN THIS
DRAWING IS THE SOLE PROPERTY OF
BLACKHAWKLABS. ANY REPRODUCTION
IN PART OR AS A WHOLE WITHOUT
THE WRITTEN PERMISSION OF
BLACKHAWKLABS IS PROHIBITED.

COMMENTS:			
MRQ100V10 Sheet 1/2			
TITLE:			
MiniRaQ Standard			
SIZE	DWG. NO.	DATE	REV
C	90-055	3-1-11	1
		DRAWN BY ML	
SCALE: 1:8		WEIGHT: 21 lbs	SHEET 1 OF 2



GROUND STUD

10 RAISED BRIDGE LANCES
FOR CABLE MANAGEMENT

ALTERNATE ACCESSORY
MOUNTING HOLES
(LEFT AND RIGHT SIDE)

NOTES:

1. INSTALLATION MUST COMPLY WITH NATIONAL AND LOCAL ELECTRICAL REGULATIONS.
2. ALL DIMENSIONS ARE IN INCHES.



PROPRIETARY AND CONFIDENTIAL
 THE INFORMATION CONTAINED IN THIS
 DRAWING IS THE SOLE PROPERTY OF
 BLACKHAWKLABS. ANY REPRODUCTION
 IN PART OR AS A WHOLE WITHOUT
 THE WRITTEN PERMISSION OF
 BLACKHAWKLABS IS PROHIBITED.

COMMENTS:			
MRQ100V10 Sheet 2/2			
TITLE: MiniRaQ Standard			
SIZE C	DWG. NO. 90-055	DATE 3-1-11 DRAWN BY ML	REV 1
SCALE: 1:8		WEIGHT: 21 lbs	SHEET 2 OF 2