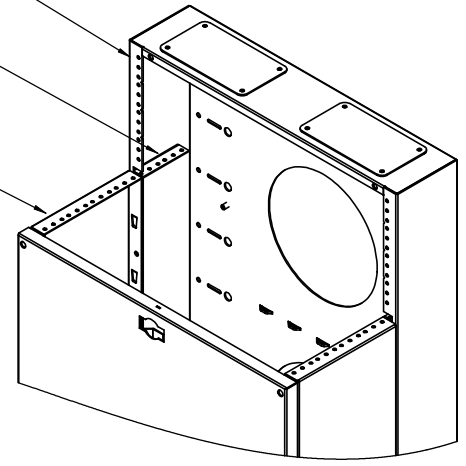
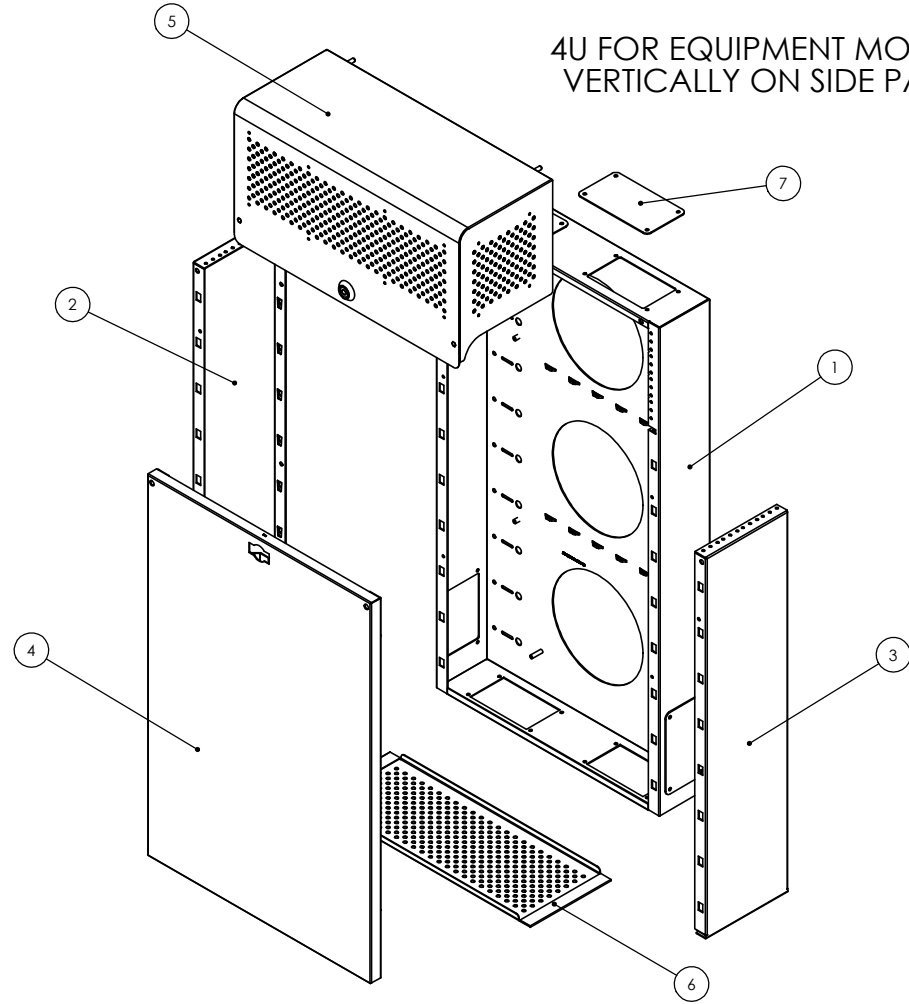


ITEM #	DESCRIPTION	QTY.
1	BACK PLATE	1
2	LEFT SIDE PANEL	1
3	RIGHT SIDE PANEL	1
4	FRONT PANEL	1
5	COVER	1
6	VENT TRAY	1
7	RECTANGULAR PLATE	6

4U FOR EQUIPMENT MOUNTED  
VERTICALLY ON BACKPLATE

2U FOR EQUIPMENT MOUNTED  
VERTICALLY INSIDE OF BACKPLATE

4U FOR EQUIPMENT MOUNTED  
VERTICALLY ON SIDE PANELS



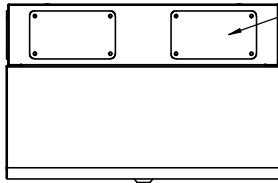
- NOTES:**
1. INSTALLATION MUST COMPLY WITH NATIONAL AND LOCAL ELECTRICAL REGULATIONS.
  2. ALL DIMENSIONS ARE IN INCHES.
  3. NET WEIGHT OF UNIT IS 54 LBS.
  4. CABLE ENTRY IS TOP, BOTTOM, AND SIDES OF UNIT.
  5. EQUIPMENT MOUNTING IS 12-24 TAPPED IN EIA PATTERN.
  6. CAPACITY IS 400 LBS. WHEN MOUNTED AS RECOMMENDED.
  7. CONSTRUCTION IS 14AWG C.R. STEEL WITH BLACK POWDER COAT FINISH.



**PROPRIETARY AND CONFIDENTIAL**  
THE INFORMATION CONTAINED IN THIS DRAWING IS THE SOLE PROPERTY OF BLACKHAWKLABS. ANY REPRODUCTION IN PART OR AS A WHOLE WITHOUT THE WRITTEN PERMISSION OF BLACKHAWKLABS IS PROHIBITED.

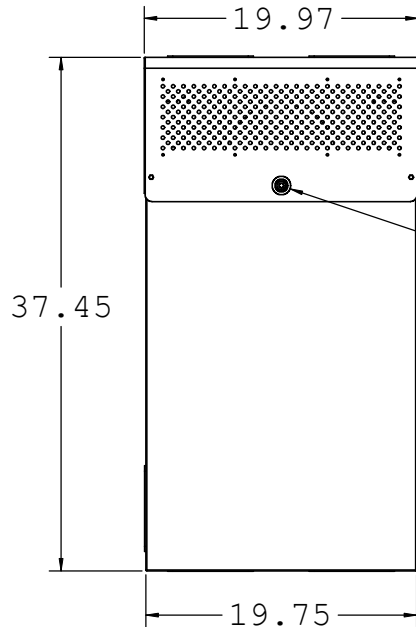
COMMENTS:			
MRQ300S10 Sheet 1/2			
TITLE:			
MiniRaQ Standard			
SIZE	DWG. NO.	DATE	REV
<b>C</b>	90-065	3-20-11	2
SCALE: 2:1		WEIGHT: 54 lbs	SHEET 1 OF 2

TOP



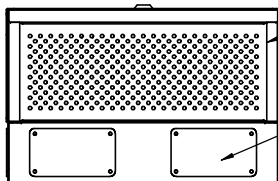
TWO PLATES COVERING 3"x5" CABLE ACCESS OR ACCESSORY HOLES

FRONT



DOUBLE CAM LOCK

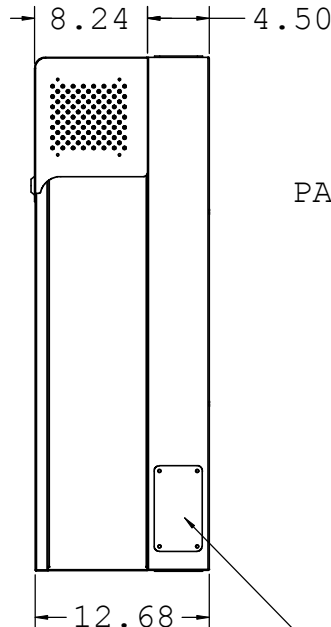
BOTTOM



LOWER VENT TRAY

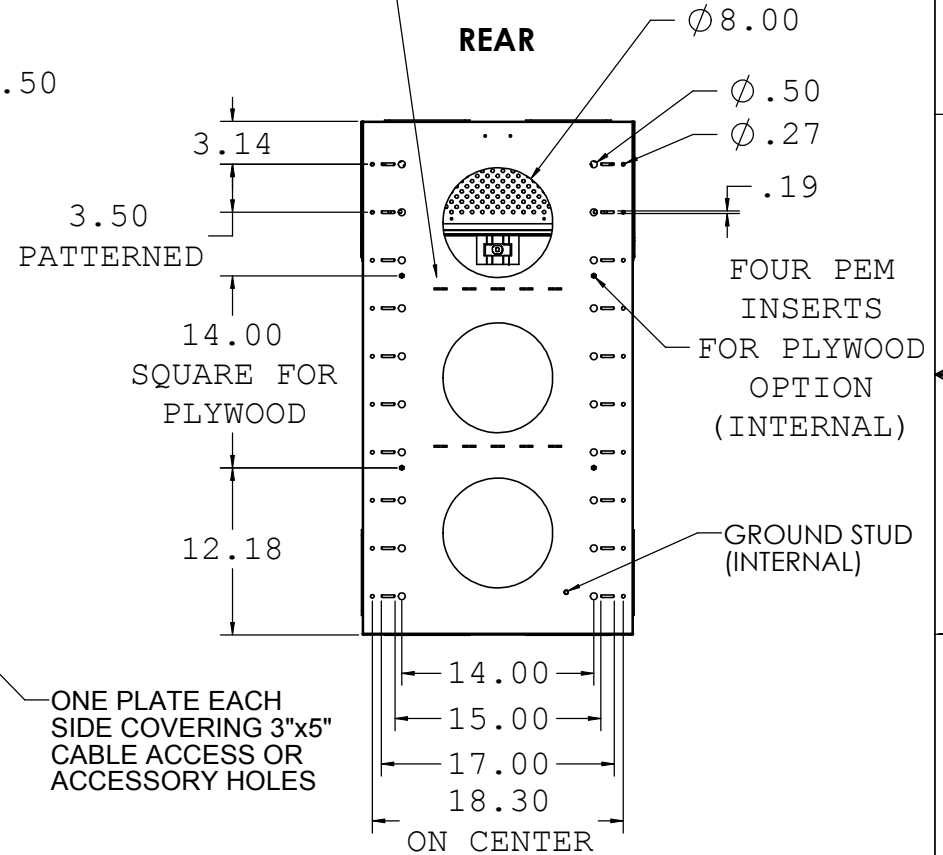
TWO PLATES COVERING 3"x5" CABLE ACCESS OR ACCESSORY HOLES

RIGHT



10 RAISED BRIDGE LANCES FOR CABLE MANAGEMENT (INTERNAL)

REAR



ONE PLATE EACH SIDE COVERING 3"x5" CABLE ACCESS OR ACCESSORY HOLES

FOUR PEM INSERTS FOR PLYWOOD OPTION (INTERNAL)

GROUND STUD (INTERNAL)

**NOTES:**

1. INSTALLATION MUST COMPLY WITH NATIONAL AND LOCAL ELECTRICAL REGULATIONS.
2. ALL DIMENSIONS ARE IN INCHES.



PROPRIETARY AND CONFIDENTIAL  
THE INFORMATION CONTAINED IN THIS DRAWING IS THE SOLE PROPERTY OF BLACKHAWKLABS. ANY REPRODUCTION IN PART OR AS A WHOLE WITHOUT THE WRITTEN PERMISSION OF BLACKHAWKLABS IS PROHIBITED.

COMMENTS:			
MRQ300S10 Sheet 2/2			
TITLE: MiniRaQ Standard			
SIZE <b>C</b>	DWG. NO. 90-065	DATE 3-20-11 DRAWN BY ML	REV <b>2</b>
SCALE: 2:1		WEIGHT: 54 lbs	SHEET 2 OF 2