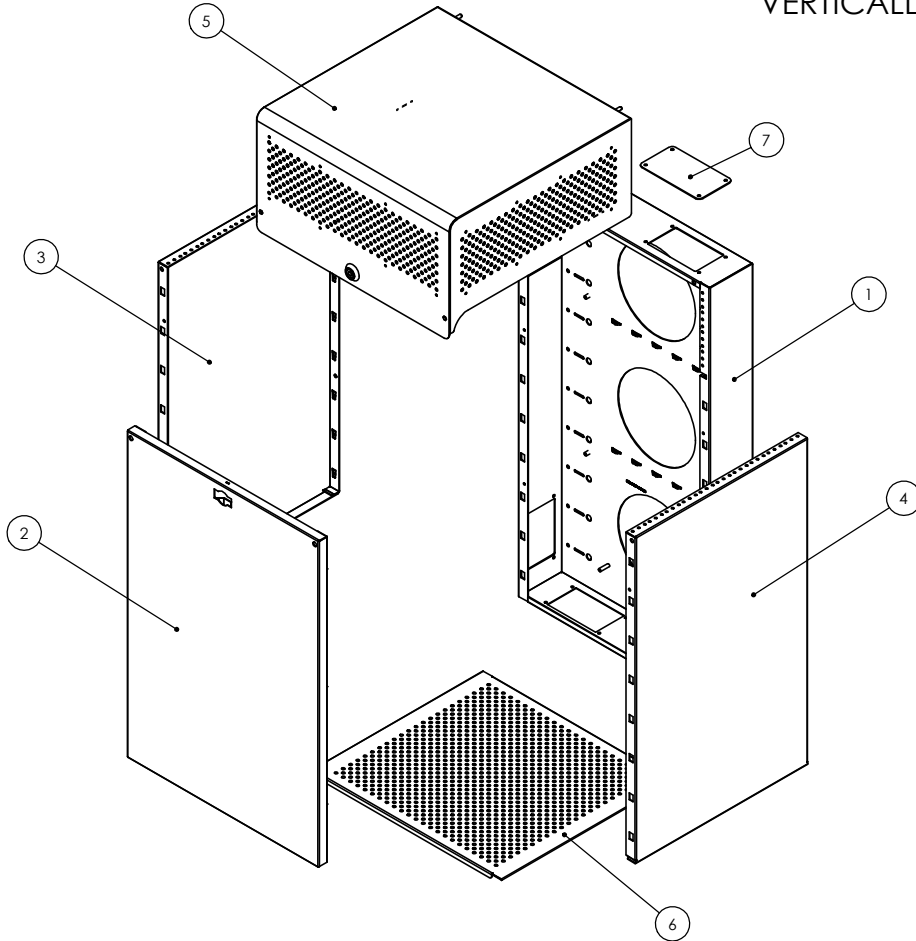
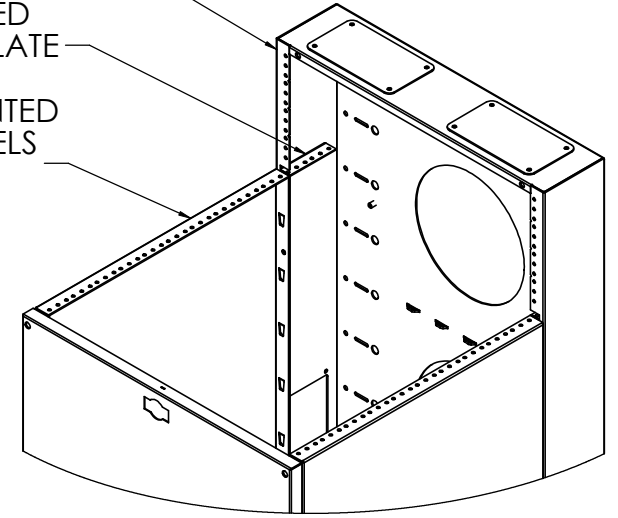


ITEM #	DESCRIPTION	QTY.
1	BACK PLATE	1
2	LEFT SIDE PANEL	1
3	RIGHT SIDE PANEL	1
4	FRONT PANEL	1
5	COVER	1
6	VENT TRAY	1
7	RECTANGULAR PLATE	6

4U FOR EQUIPMENT MOUNTED
VERTICALLY ON BACKPLATE

2U FOR EQUIPMENT MOUNTED
VERTICALLY INSIDE OF BACKPLATE

10U FOR EQUIPMENT MOUNTED
VERTICALLY ON SIDE PANELS



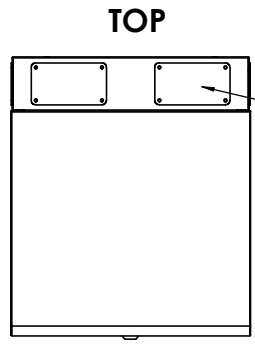
NOTES:

1. INSTALLATION MUST COMPLY WITH NATIONAL AND LOCAL ELECTRICAL REGULATIONS.
2. ALL DIMENSIONS ARE IN INCHES.
3. NET WEIGHT OF UNIT IS 76 LBS.
4. CABLE ENTRY IS TOP, BOTTOM, AND SIDES OF UNIT.
5. EQUIPMENT MOUNTING IS 12-24 TAPPED IN EIA PATTERN.
6. CAPACITY IS 400 LBS. WHEN MOUNTED AS RECOMMENDED.
7. CONSTRUCTION IS 14AWG C.R. STEEL WITH BLACK POWDER COAT FINISH.



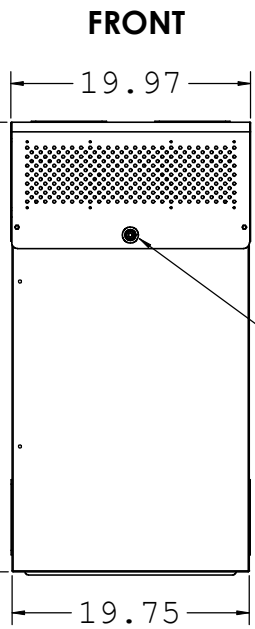
PROPRIETARY AND CONFIDENTIAL
THE INFORMATION CONTAINED IN THIS DRAWING IS THE SOLE PROPERTY OF BLACKHAWKLABS. ANY REPRODUCTION IN PART OR AS A WHOLE WITHOUT THE WRITTEN PERMISSION OF BLACKHAWKLABS IS PROHIBITED.

COMMENTS:			
MRQ300S16 Sheet 1/2			
TITLE:			
MiniRaQ Standard			
SIZE	DWG. NO.	DATE	REV
C	90-068	3-20-11	2
SCALE: 2:1		WEIGHT: 76 lbs	SHEET 1 OF 2



TOP

TWO PLATES COVERING 3"x5" CABLE ACCESS OR ACCESSORY HOLES



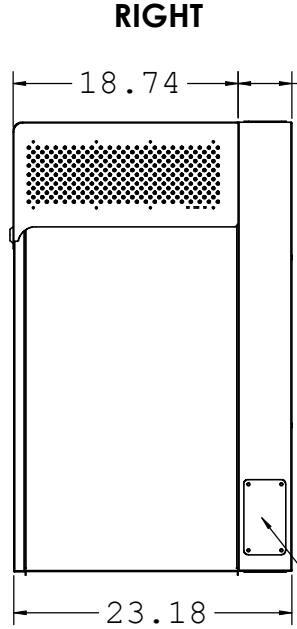
FRONT

37.45

19.97

DOUBLE CAM LOCK

19.75



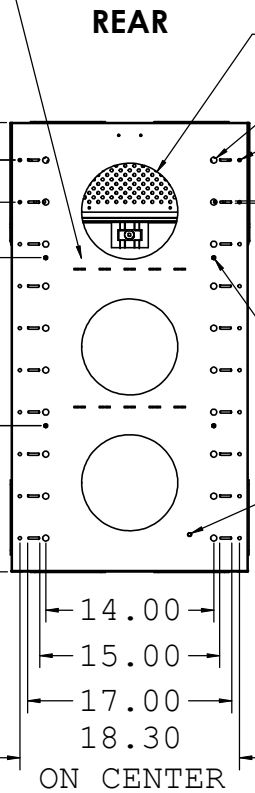
RIGHT

18.74

4.50

23.18

10 RAISED BRIDGE LANCES FOR CABLE MANAGEMENT (INTERNAL)



REAR

Ø 8.00

Ø .50

Ø .27

.19

FOUR PEM INSERTS FOR PLYWOOD OPTION (INTERNAL)

GROUND STUD (INTERNAL)

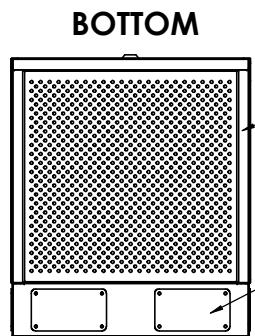
3.14
3.50
PATTERNED

14.00
SQUARE FOR PLYWOOD

12.18

ONE PLATE EACH SIDE COVERING 3"x5" CABLE ACCESS OR ACCESSORY HOLES

14.00
15.00
17.00
18.30
ON CENTER



BOTTOM

LOWER VENT TRAY

TWO PLATES COVERING 3"x5" CABLE ACCESS OR ACCESSORY HOLES

- NOTES:**
1. INSTALLATION MUST COMPLY WITH NATIONAL AND LOCAL ELECTRICAL REGULATIONS.
 2. ALL DIMENSIONS ARE IN INCHES.



PROPRIETARY AND CONFIDENTIAL
THE INFORMATION CONTAINED IN THIS DRAWING IS THE SOLE PROPERTY OF BLACKHAWKLABS. ANY REPRODUCTION IN PART OR AS A WHOLE WITHOUT THE WRITTEN PERMISSION OF BLACKHAWKLABS IS PROHIBITED.

COMMENTS:			
MRQ300S16 Sheet 2/2			
TITLE: MiniRaQ Standard			
SIZE C	DWG. NO. 90-068	DATE 3-20-11	REV 2
SCALE: 2:1		WEIGHT: 76 lbs	
SHEET 2 OF 2			