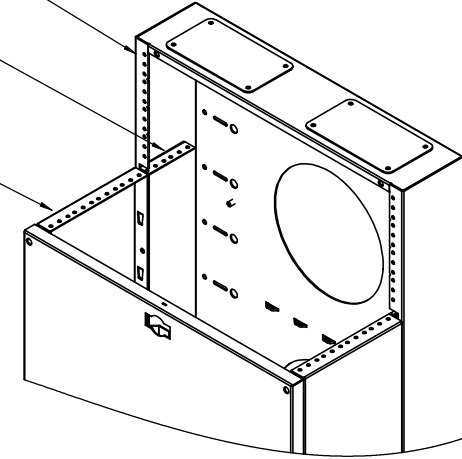
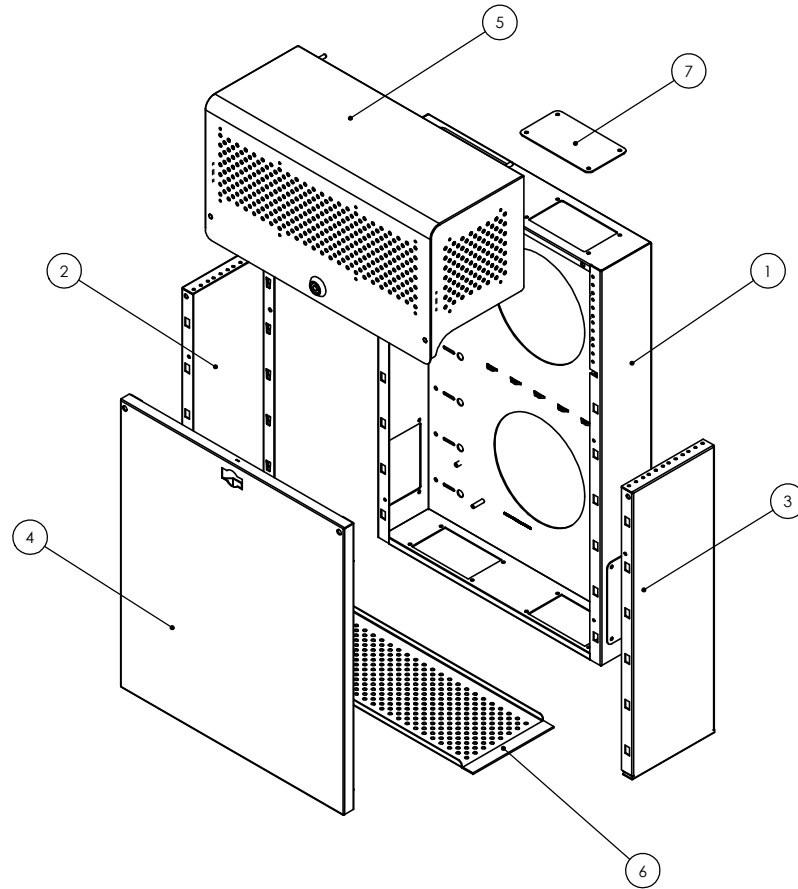


ITEM #	DESCRIPTION	QTY.
1	BACK PLATE	1
2	LEFT SIDE PANEL	1
3	RIGHT SIDE PANEL	1
4	FRONT PANEL	1
5	COVER	1
6	VENT TRAY	1
7	RECTANGULAR PLATE	6

4U FOR EQUIPMENT MOUNTED
VERTICALLY ON BACKPLATE

2U FOR EQUIPMENT MOUNTED
VERTICALLY INSIDE OF BACKPLATE

4U FOR EQUIPMENT MOUNTED
VERTICALLY ON SIDE PANELS



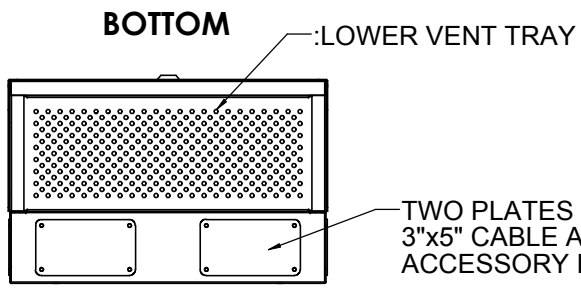
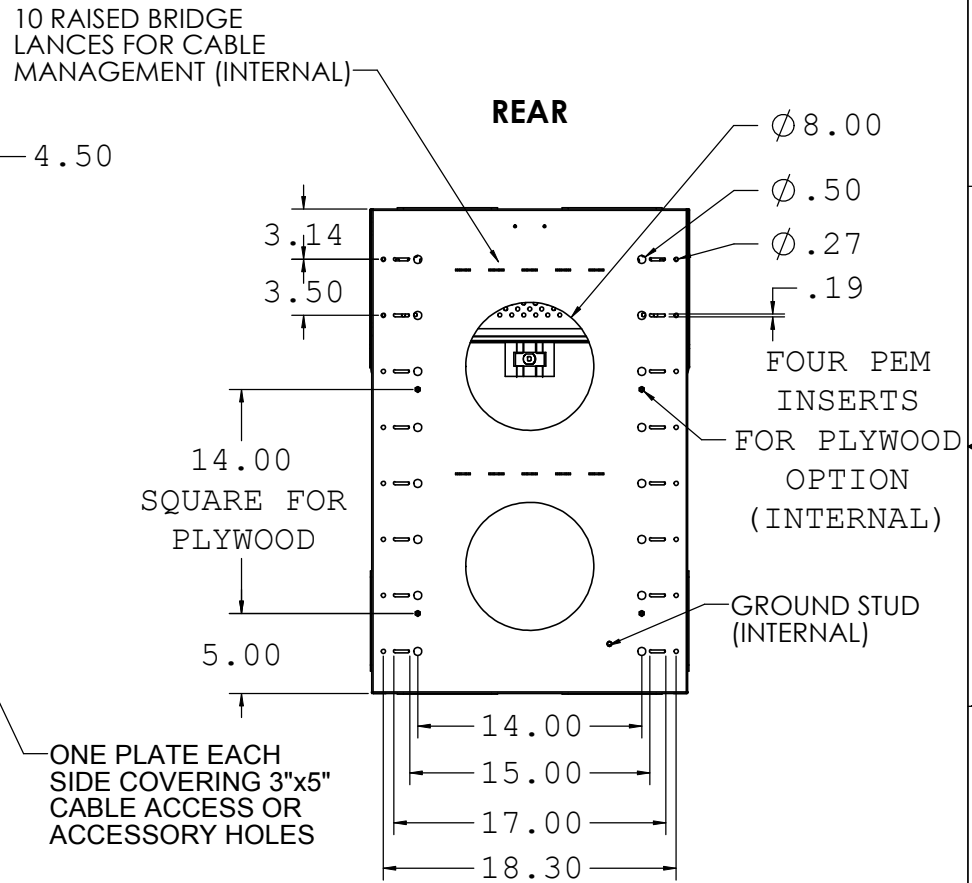
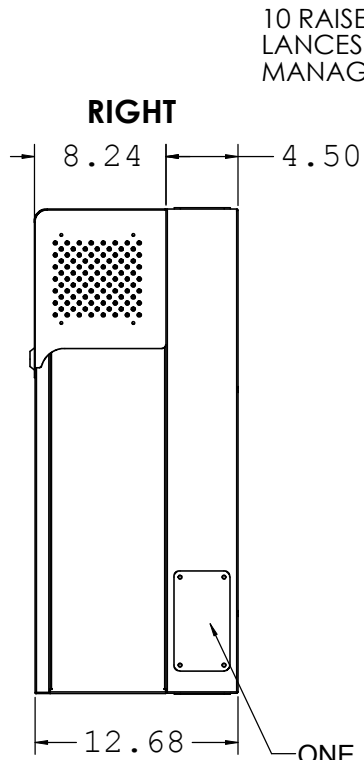
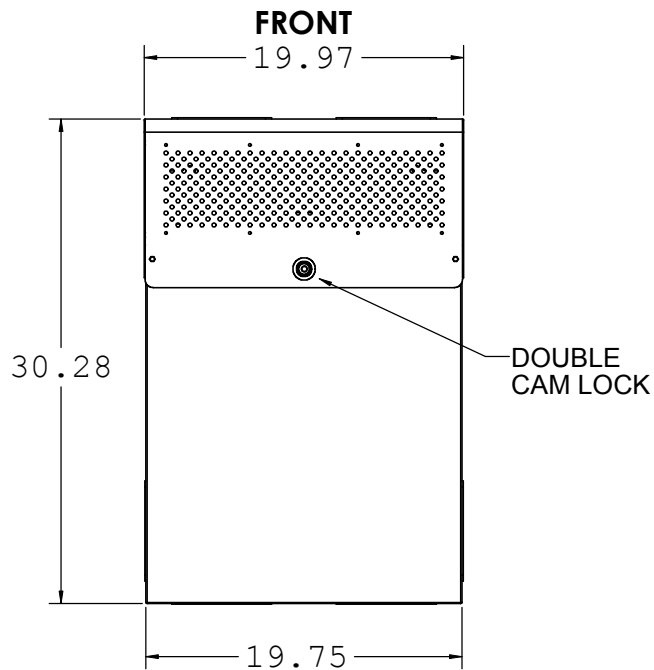
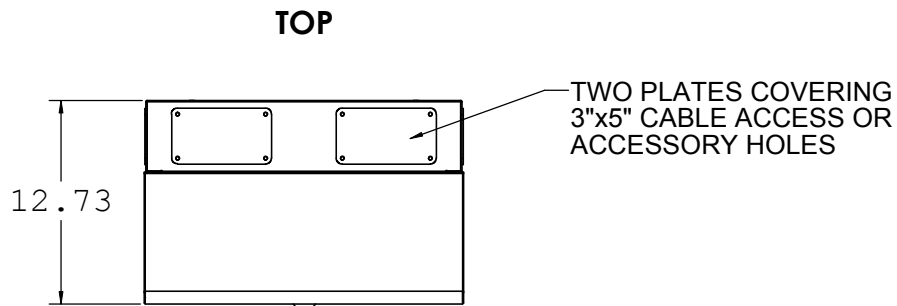
NOTES:

1. INSTALLATION MUST COMPLY WITH NATIONAL AND LOCAL ELECTRICAL REGULATIONS.
2. ALL DIMENSIONS ARE IN INCHES.
3. NET WEIGHT OF UNIT IS 47 LBS.
4. CABLE ENTRY IS TOP, BOTTOM, AND SIDES OF UNIT.
5. EQUIPMENT MOUNTING IS 12-24 TAPPED IN EIA PATTERN.
6. CAPACITY IS 400 LBS. WHEN MOUNTED AS RECOMMENDED.
7. CONSTRUCTION IS 14AWG C.R. STEEL WITH BLACK POWDER COAT FINISH.



PROPRIETARY AND CONFIDENTIAL
THE INFORMATION CONTAINED IN THIS DRAWING IS THE SOLE PROPERTY OF BLACKHAWKLABS. ANY REPRODUCTION IN PART OR AS A WHOLE WITHOUT THE WRITTEN PERMISSION OF BLACKHAWKLABS IS PROHIBITED.

COMMENTS:			
MRQ350S10 Sheet 1/2			
TITLE:			
MiniRaQ Standard			
SIZE	DWG. NO.	DATE	REV
C	90-069	3-3-11	2
SCALE: 2:1		WEIGHT: 47 lbs	SHEET 1 OF 2



NOTES:
 1. INSTALLATION MUST COMPLY WITH NATIONAL AND LOCAL ELECTRICAL REGULATIONS.
 2. ALL DIMENSIONS ARE IN INCHES.



PROPRIETARY AND CONFIDENTIAL
 THE INFORMATION CONTAINED IN THIS DRAWING IS THE SOLE PROPERTY OF BLACKHAWKLABS. ANY REPRODUCTION IN PART OR AS A WHOLE WITHOUT THE WRITTEN PERMISSION OF BLACKHAWKLABS IS PROHIBITED.

COMMENTS:			
MRQ350S10 Sheet 2/2			
TITLE: MiniRaQ Standard			
SIZE C	DWG. NO. 90-069	DATE 3-3-11 DRAWN BY ML	REV 2
SCALE: 2:1		WEIGHT: 47 lbs	SHEET 2 OF 2