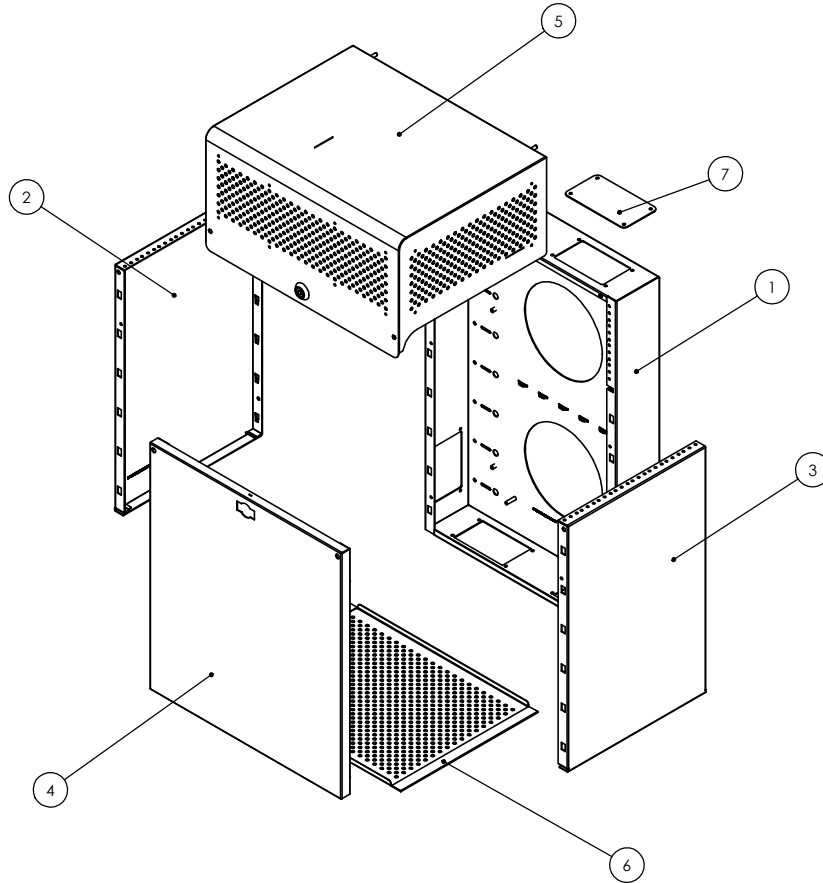
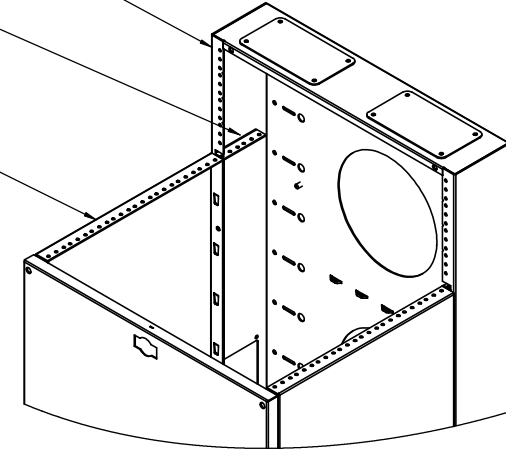


ITEM #	DESCRIPTION	QTY.
1	BACK PLATE	1
2	LEFT SIDE PANEL	1
3	RIGHT SIDE PANEL	1
4	FRONT PANEL	1
5	COVER	1
6	VENT TRAY	1
7	RECTANGULAR PLATE	6

4U FOR EQUIPMENT MOUNTED
VERTICALLY ON BACKPLATE

2U FOR EQUIPMENT MOUNTED
VERTICALLY INSIDE OF BACKPLATE

8U FOR EQUIPMENT MOUNTED
VERTICALLY ON SIDE PANELS



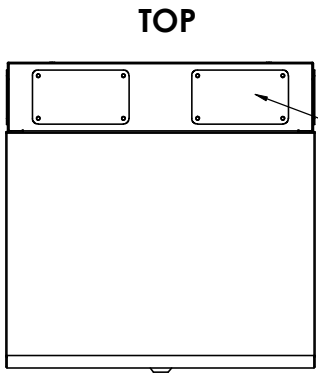
NOTES:

1. INSTALLATION MUST COMPLY WITH NATIONAL AND LOCAL ELECTRICAL REGULATIONS.
2. ALL DIMENSIONS ARE IN INCHES.
3. NET WEIGHT OF UNIT IS 60 LBS.
4. CABLE ENTRY IS TOP, BOTTOM, AND SIDES OF UNIT.
5. EQUIPMENT MOUNTING IS 12-24 TAPPED IN EIA PATTERN.
6. CAPACITY IS 400 LBS. WHEN MOUNTED AS RECOMMENDED.
7. CONSTRUCTION IS 14AWG C.R. STEEL WITH BLACK POWDER COAT FINISH.



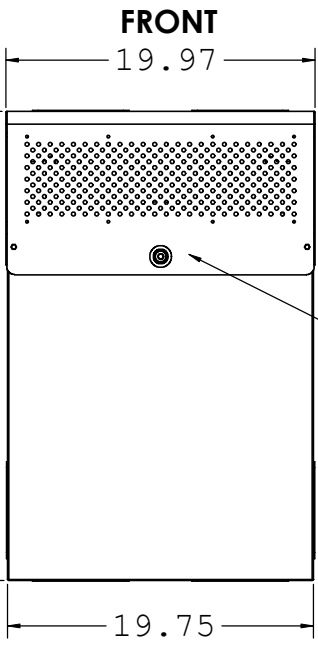
PROPRIETARY AND CONFIDENTIAL
THE INFORMATION CONTAINED IN THIS DRAWING IS THE SOLE PROPERTY OF BLACKHAWKLABS. ANY REPRODUCTION IN PART OR AS A WHOLE WITHOUT THE WRITTEN PERMISSION OF BLACKHAWKLABS IS PROHIBITED.

COMMENTS:			
MRQ350S14 Sheet 1/2			
TITLE:			
MiniRaQ Standard			
SIZE	DWG. NO.	DATE	REV
C	90-071	3-6-11	2
		DRAWN BY ML	
SCALE: 2:1		WEIGHT: 60 lbs	SHEET 1 OF 2



TOP

TWO PLATES COVERING 3"x5" CABLE ACCESS OR ACCESSORY HOLES



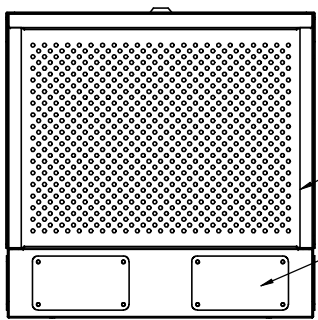
FRONT

30.28

19.97

19.75

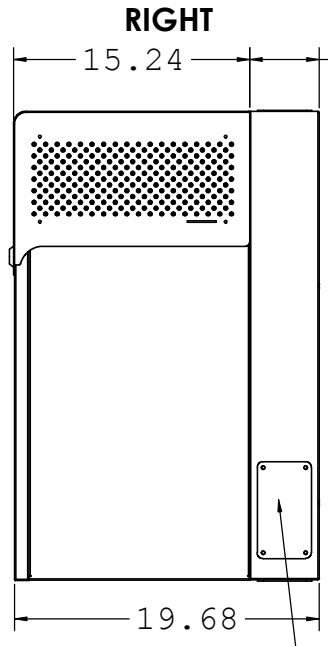
DOUBLE CAM LOCK



BOTTOM

LOWER VENT TRAY

TWO PLATES COVERING 3"x5" CABLE ACCESS OR ACCESSORY HOLES



RIGHT

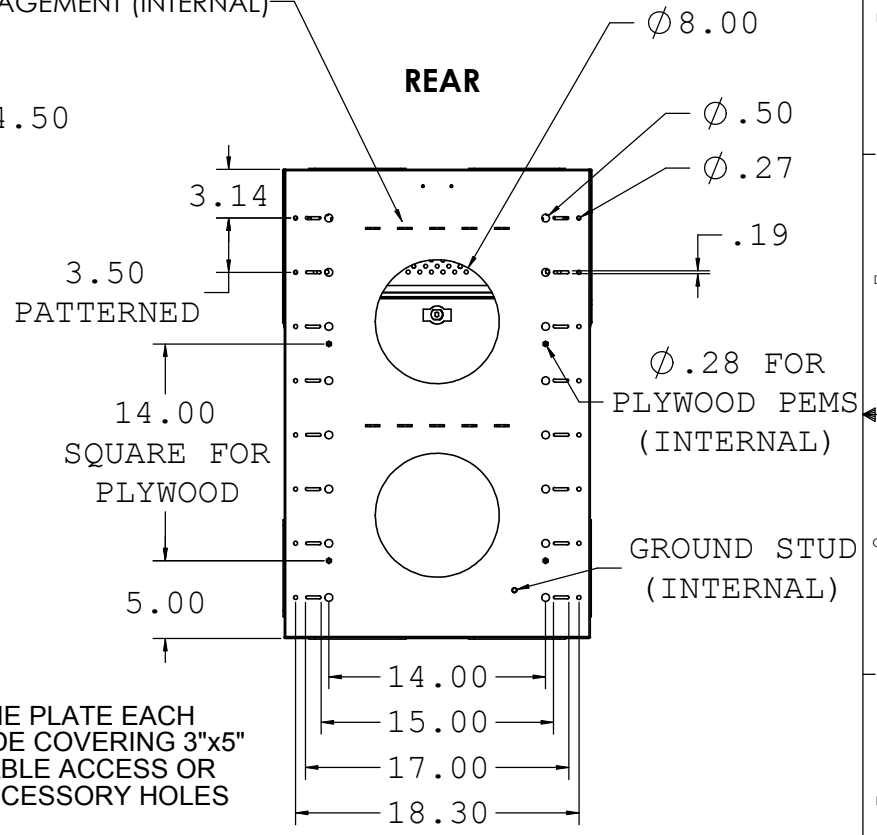
15.24

4.50

19.68

ONE PLATE EACH SIDE COVERING 3"x5" CABLE ACCESS OR ACCESSORY HOLES

10 RAISED BRIDGE LANCES FOR CABLE MANAGEMENT (INTERNAL)



REAR

3.14
3.50
PATTERNED

14.00
SQUARE FOR PLYWOOD

5.00

14.00
15.00
17.00
18.30

Ø 8.00

Ø .50

Ø .27

Ø .28 FOR PLYWOOD PEMS (INTERNAL)

GROUND STUD (INTERNAL)

- NOTES:**
1. INSTALLATION MUST COMPLY WITH NATIONAL AND LOCAL ELECTRICAL REGULATIONS.
 2. ALL DIMENSIONS ARE IN INCHES.



Black Hawk Labs
 PROPRIETARY AND CONFIDENTIAL
 THE INFORMATION CONTAINED IN THIS DRAWING IS THE SOLE PROPERTY OF BLACKHAWKLABS. ANY REPRODUCTION IN PART OR AS A WHOLE WITHOUT THE WRITTEN PERMISSION OF BLACKHAWKLABS IS PROHIBITED.

COMMENTS:			
MRQ350S14 Sheet 2/2			
TITLE:			
MiniRaQ Standard			
SIZE	DWG. NO.	DATE	REV
C	90-071	3-6-11	2
SCALE: 2:1		WEIGHT: 60 lbs	SHEET 2 OF 2