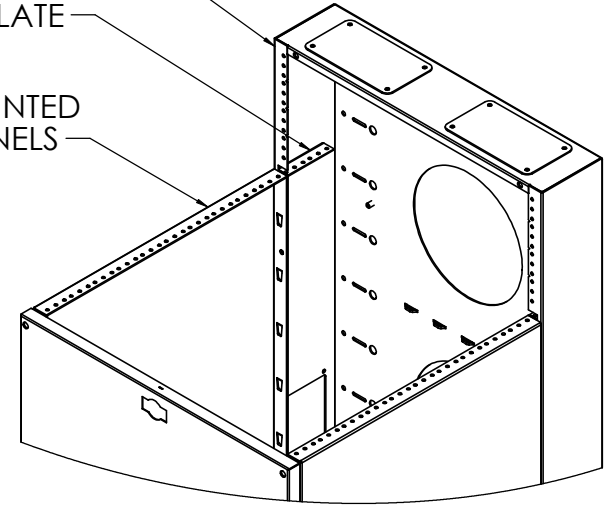
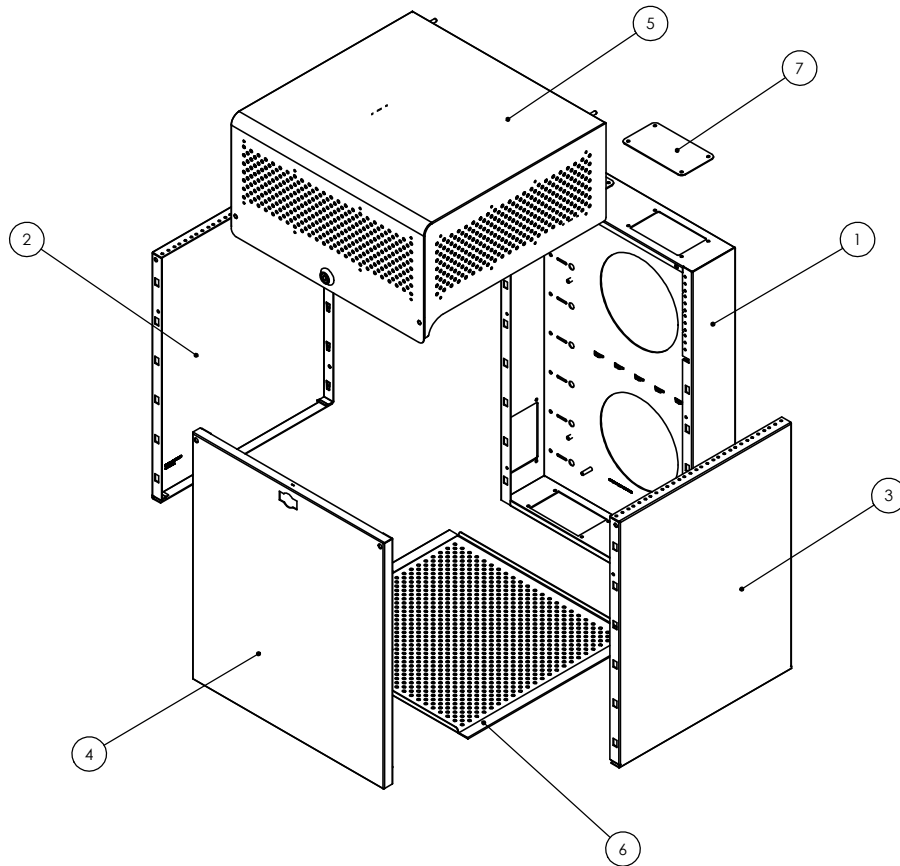


ITEM #	DESCRIPTION	QTY.
1	BACK PLATE	1
2	LEFT SIDE PANEL	1
3	RIGHT SIDE PANEL	1
4	FRONT PANEL	1
5	COVER	1
6	VENT TRAY	1
7	RECTANGULAR PLATE	6

4U FOR EQUIPMENT MOUNTED
VERTICALLY ON BACKPLATE

2U FOR EQUIPMENT MOUNTED
VERTICALLY INSIDE OF BACKPLATE

10U FOR EQUIPMENT MOUNTED
VERTICALLY ON SIDE PANELS



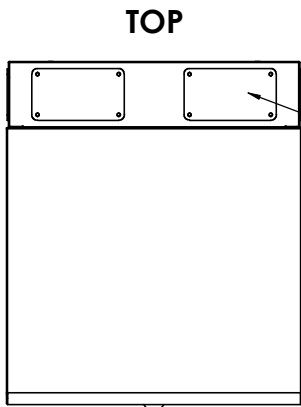
NOTES:

1. INSTALLATION MUST COMPLY WITH NATIONAL AND LOCAL ELECTRICAL REGULATIONS.
2. ALL DIMENSIONS ARE IN INCHES.
3. NET WEIGHT OF UNIT IS 66 LBS.
4. CABLE ENTRY IS TOP, BOTTOM, AND SIDES OF UNIT.
5. EQUIPMENT MOUNTING IS 12-24 TAPPED IN EIA PATTERN.
6. CAPACITY IS 400 LBS. WHEN MOUNTED AS RECOMMENDED.
7. CONSTRUCTION IS 14AWG C.R. STEEL WITH BLACK POWDER COAT FINISH.



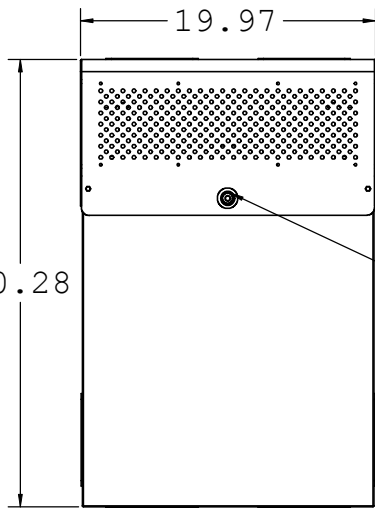
PROPRIETARY AND CONFIDENTIAL
THE INFORMATION CONTAINED IN THIS DRAWING IS THE SOLE PROPERTY OF BLACKHAWKLABS. ANY REPRODUCTION IN PART OR AS A WHOLE WITHOUT THE WRITTEN PERMISSION OF BLACKHAWKLABS IS PROHIBITED.

COMMENTS:			
MRQ350S16 Sheet 1/2			
TITLE:			
MiniRaQ Standard			
SIZE	DWG. NO.	DATE	REV
C	90-072	3-6-11	2
		DRAWN BY ML	
SCALE: 2:1		WEIGHT: 66 lbs	SHEET 1 OF 2



TOP

TWO PLATES COVERING 3"x5" CABLE ACCESS OR ACCESSORY HOLES

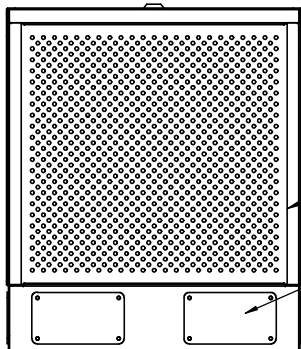


FRONT

DOUBLE CAM LOCK

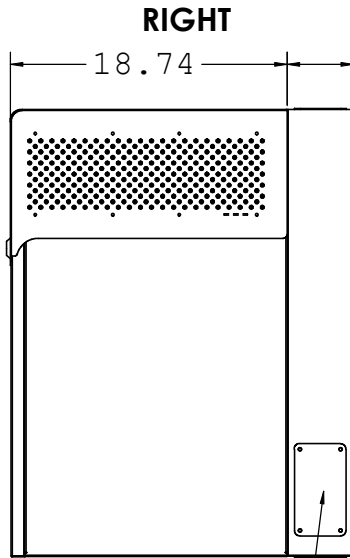
30.28

BOTTOM



LOWER VENT TRAY

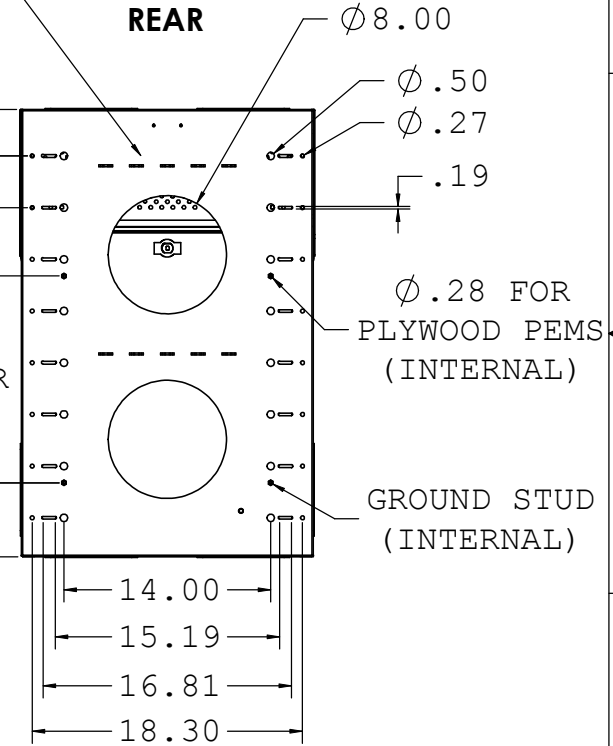
TWO PLATES COVERING 3"x5" CABLE ACCESS OR ACCESSORY HOLES



RIGHT

10 RAISED BRIDGE LANCES FOR CABLE MANAGEMENT (INTERNAL)

ONE PLATE EACH SIDE COVERING 3"x5" CABLE ACCESS OR ACCESSORY HOLES



REAR

Ø 8.00
Ø .50
Ø .27
.19
Ø .28 FOR PLYWOOD PEMS (INTERNAL)

GROUND STUD (INTERNAL)

PATTERNED

14.00
SQUARE FOR PLYWOOD

14.00
15.19
16.81
18.30

NOTES:

1. INSTALLATION MUST COMPLY WITH NATIONAL AND LOCAL ELECTRICAL REGULATIONS.
2. ALL DIMENSIONS ARE IN INCHES.



PROPRIETARY AND CONFIDENTIAL
THE INFORMATION CONTAINED IN THIS DRAWING IS THE SOLE PROPERTY OF BLACKHAWKLABS. ANY REPRODUCTION IN PART OR AS A WHOLE WITHOUT THE WRITTEN PERMISSION OF BLACKHAWKLABS IS PROHIBITED.

COMMENTS:

MRQ350S16
Sheet 2/2

TITLE:

MiniRaQ Standard

SIZE C	DWG. NO. 90-072	DATE 3-6-11	REV 2
	SCALE: 2:1	WEIGHT: 66 lbs	SHEET 2 OF 2