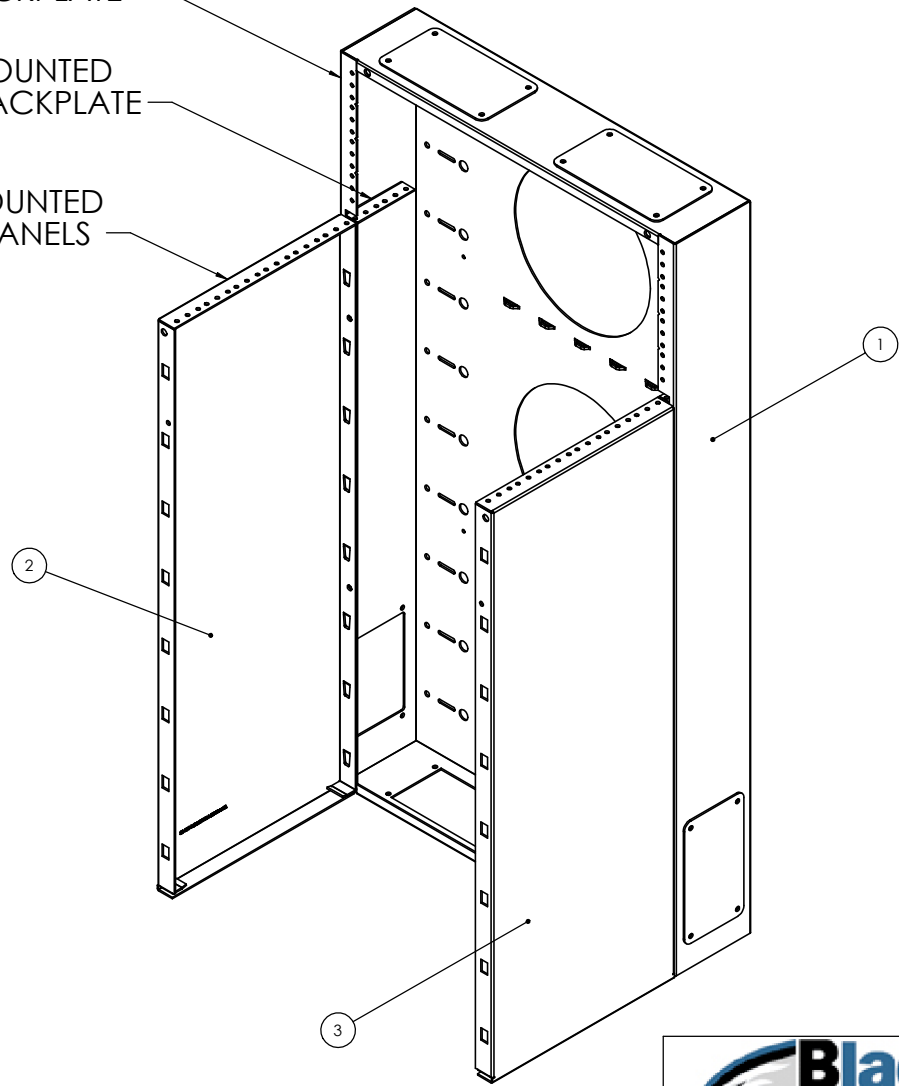


ITEM #	PART #	DESCRIPTION	QTY.
1	20-255	BACK PLATE	1
2	20-250	LEFT SIDE PANEL	1
3	20-249	RIGHT SIDE PANEL	1

4U FOR EQUIPMENT MOUNTED
VERTICALLY ON BACKPLATE

2U FOR EQUIPMENT MOUNTED
VERTICALLY INSIDE OF BACKPLATE

6U FOR EQUIPMENT MOUNTED
VERTICALLY ON SIDE PANELS



NOTES:

1. INSTALLATION MUST COMPLY WITH NATIONAL AND LOCAL ELECTRICAL REGULATIONS.
2. ALL DIMENSIONS ARE IN INCHES.
3. NET WEIGHT OF UNIT IS 40 LBS.
4. CABLE ENTRY IS TOP, BOTTOM, AND SIDES OF UNIT.
5. EQUIPMENT MOUNTING IS 12-24 TAPPED IN EIA PATTERN.
6. CAPACITY IS 400 LBS. WHEN MOUNTED AS RECOMMENDED.
7. CONSTRUCTION IS 14AWG C.R. STEEL WITH BLACK POWDER COAT FINISH.



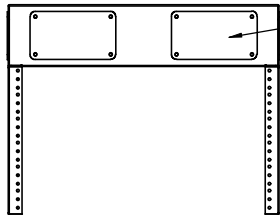
PROPRIETARY AND CONFIDENTIAL
THE INFORMATION CONTAINED IN THIS DRAWING IS THE SOLE PROPERTY OF BLACKHAWKLABS. ANY REPRODUCTION IN PART OR AS A WHOLE WITHOUT THE WRITTEN PERMISSION OF BLACKHAWKLABS IS PROHIBITED.

COMMENTS:
MRQ300V12
Sheet 1/2

TITLE:
MiniRaQ Standard

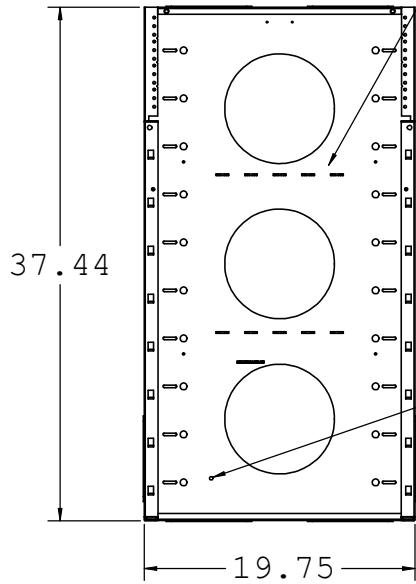
SIZE C	DWG. NO. 90-087	DATE 3-22-11	REV 2
SCALE: 1:8		WEIGHT: 40 lbs	SHEET 1 OF 2

TOP



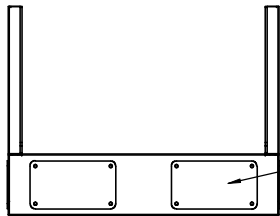
TWO PLATES COVERING 3"x5" CABLE ACCESS OR ACCESSORY HOLES

FRONT



GROUND STUD

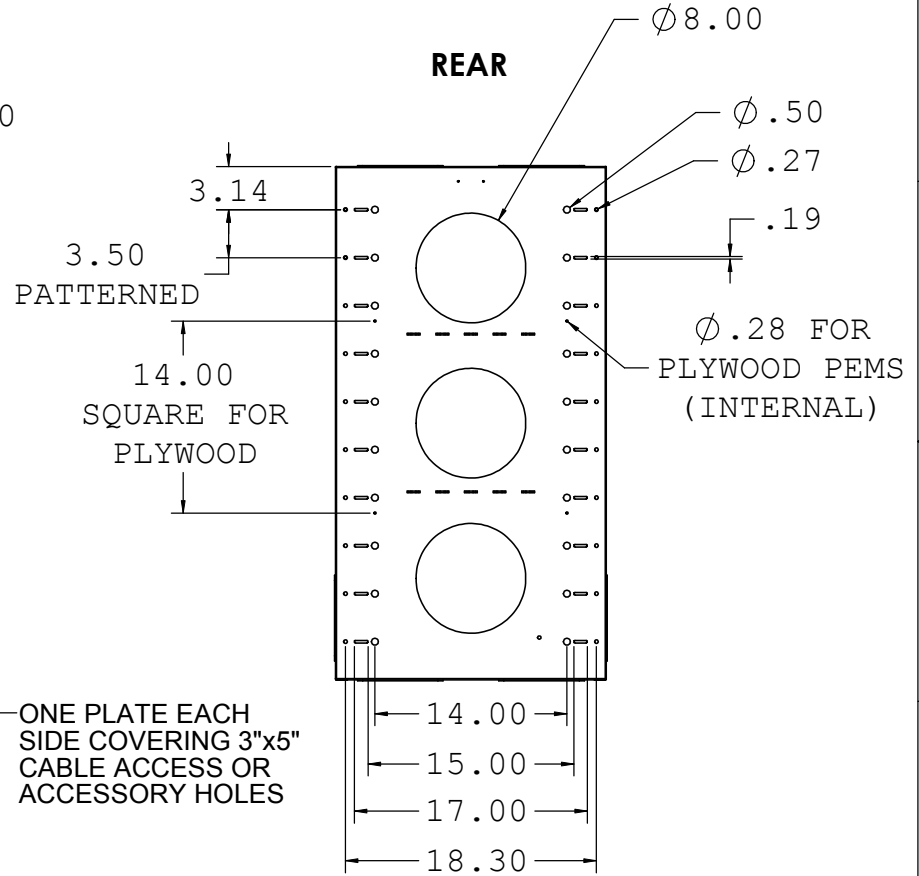
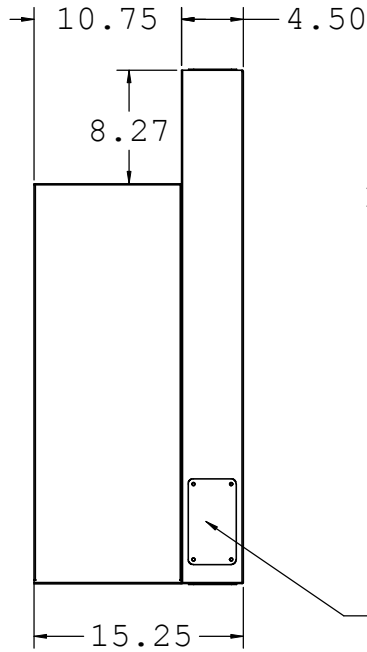
BOTTOM



TWO PLATES COVERING 3"x5" CABLE ACCESS OR ACCESSORY HOLES

10 RAISED BRIDGE LANCES FOR CABLE MANAGEMENT (INTERNAL)

RIGHT



3.50 PATTERNED

14.00 SQUARE FOR PLYWOOD

ONE PLATE EACH SIDE COVERING 3"x5" CABLE ACCESS OR ACCESSORY HOLES

Ø 8.00

Ø .50

Ø .27

.19

Ø .28 FOR PLYWOOD PEMS (INTERNAL)

REAR

14.00
15.00
17.00
18.30

NOTES:

1. INSTALLATION MUST COMPLY WITH NATIONAL AND LOCAL ELECTRICAL REGULATIONS.
2. ALL DIMENSIONS ARE IN INCHES.



PROPRIETARY AND CONFIDENTIAL
THE INFORMATION CONTAINED IN THIS DRAWING IS THE SOLE PROPERTY OF BLACKHAWKLABS. ANY REPRODUCTION IN PART OR AS A WHOLE WITHOUT THE WRITTEN PERMISSION OF BLACKHAWKLABS IS PROHIBITED.

COMMENTS:

MRQ300V12
Sheet 2/2

TITLE:
MiniRaQ Standard

SIZE C	DWG. NO. 90-087	DATE 3-22-11	REV 2
SCALE: 1:8		WEIGHT: 40 lbs	
SHEET 2 OF 2			