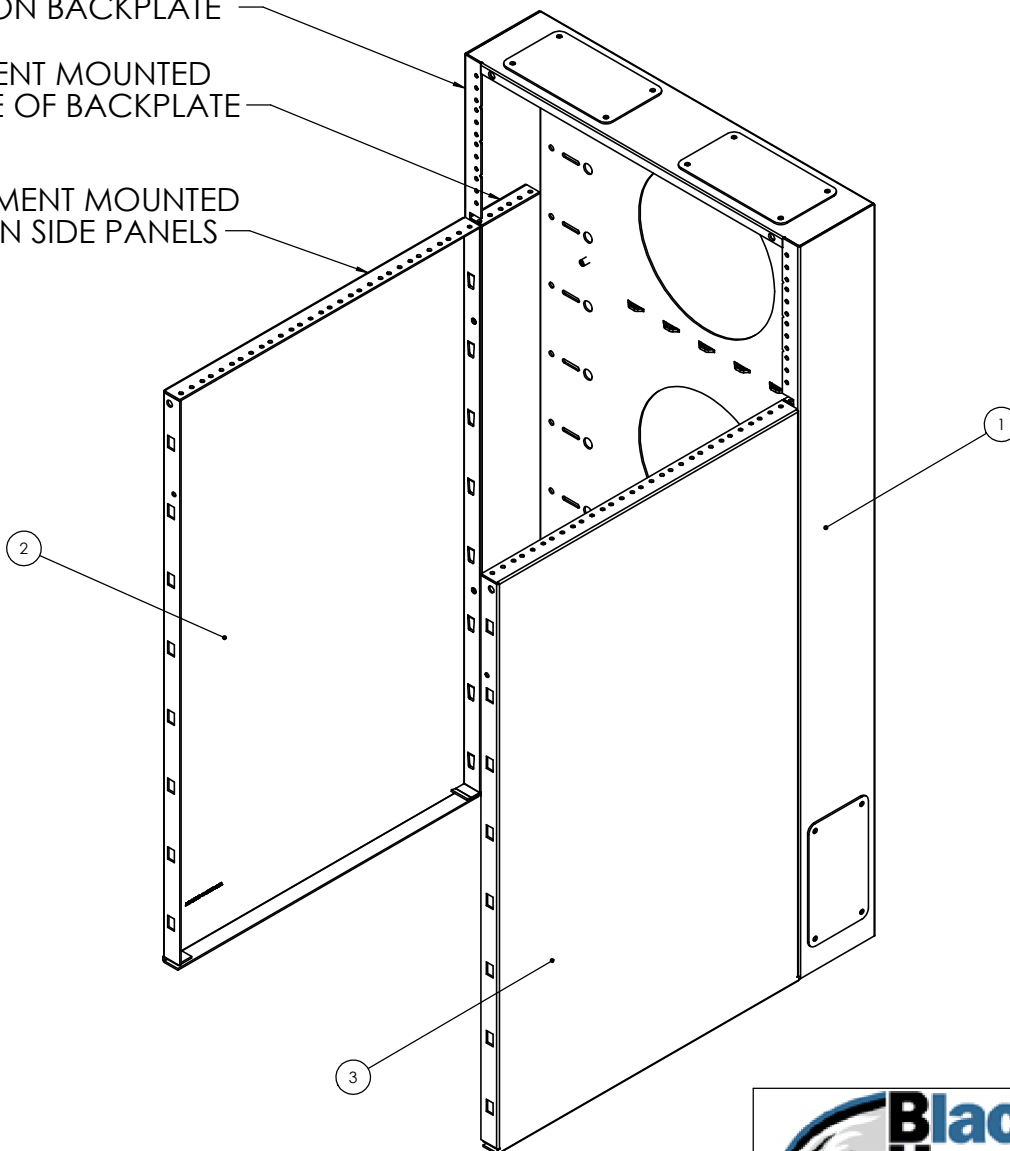


ITEM #	PART #	DESCRIPTION	QTY.
1	20-255	BACK PLATE	1
2	20-254	LEFT SIDE PANEL	1
3	20-253	RIGHT SIDE PANEL	1

4U FOR EQUIPMENT MOUNTED
VERTICALLY ON BACKPLATE

2U FOR EQUIPMENT MOUNTED
VERTICALLY INSIDE OF BACKPLATE

10U FOR EQUIPMENT MOUNTED
VERTICALLY ON SIDE PANELS



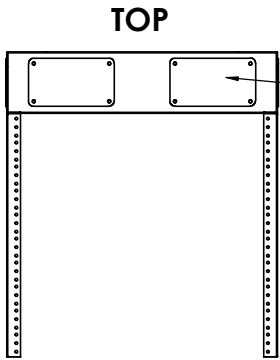
NOTES:

1. INSTALLATION MUST COMPLY WITH NATIONAL AND LOCAL ELECTRICAL REGULATIONS.
2. ALL DIMENSIONS ARE IN INCHES.
3. NET WEIGHT OF UNIT IS 48 LBS.
4. CABLE ENTRY IS TOP, BOTTOM, AND SIDES OF UNIT.
5. EQUIPMENT MOUNTING IS 12-24 TAPPED IN EIA PATTERN.
6. CAPACITY IS 400 LBS. WHEN MOUNTED AS RECOMMENDED.
7. CONSTRUCTION IS 14AWG C.R. STEEL WITH BLACK POWDER COAT FINISH.



PROPRIETARY AND CONFIDENTIAL
THE INFORMATION CONTAINED IN THIS DRAWING IS THE SOLE PROPERTY OF BLACKHAWKLABS. ANY REPRODUCTION IN PART OR AS A WHOLE WITHOUT THE WRITTEN PERMISSION OF BLACKHAWKLABS IS PROHIBITED.

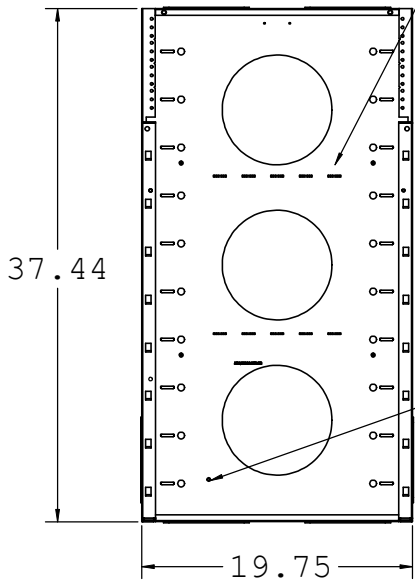
COMMENTS:			
MRQ300V16 Sheet 1/2			
TITLE:			
MiniRaQ Standard			
SIZE	DWG. NO.	DATE	REV
C	90-089	3-22-11	2
SCALE: 1:8		WEIGHT: 48 lbs	SHEET 1 OF 2



FRONT

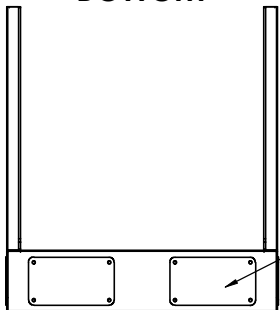
TWO PLATES COVERING
3"x5" CABLE ACCESS OR
ACCESSORY HOLES

10 RAISED BRIDGE
LANCES FOR CABLE
MANAGEMENT (INTERNAL)

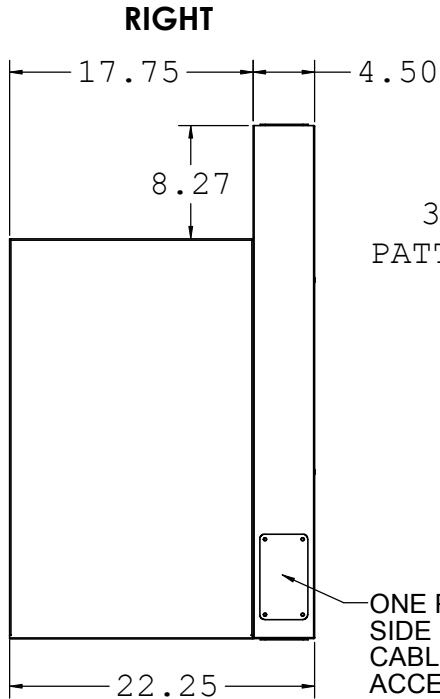


GROUND
STUD

BOTTOM

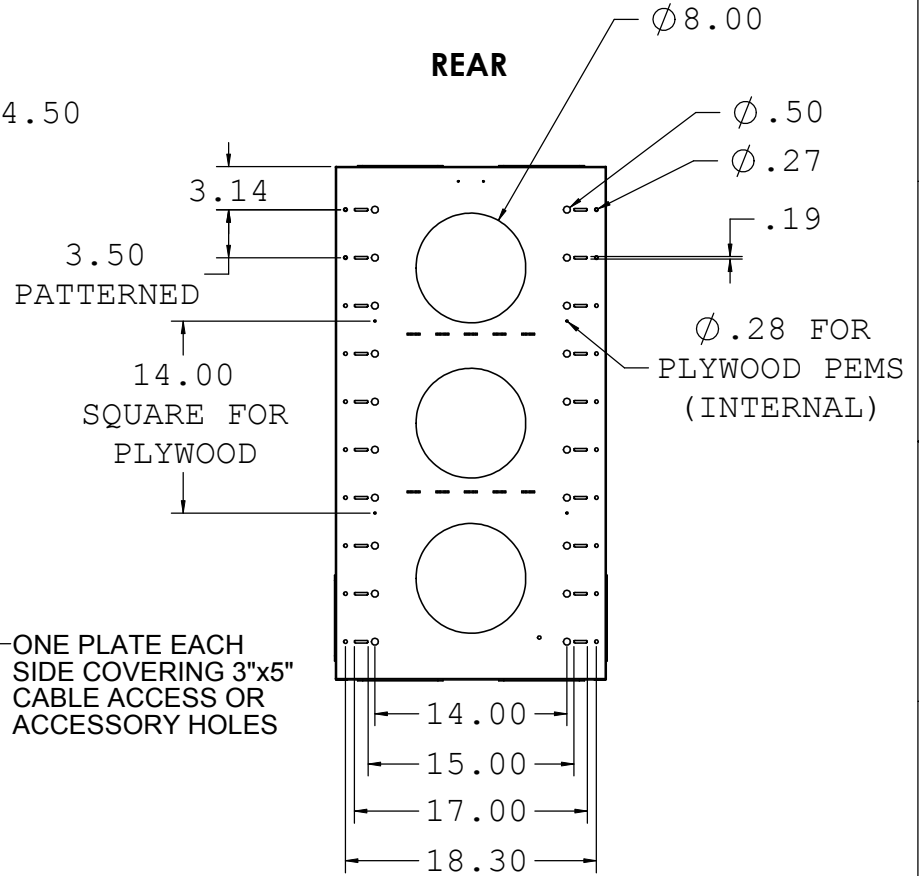


TWO PLATES COVERING
3"x5" CABLE ACCESS OR
ACCESSORY HOLES



RIGHT

REAR



3.50
PATTERNED

14.00
SQUARE FOR
PLYWOOD

ONE PLATE EACH
SIDE COVERING 3"x5"
CABLE ACCESS OR
ACCESSORY HOLES

Ø 8.00

Ø .50

Ø .27

.19

Ø .28 FOR
PLYWOOD PEMS
(INTERNAL)

14.00

15.00

17.00

18.30

NOTES:

1. INSTALLATION MUST COMPLY WITH NATIONAL AND LOCAL ELECTRICAL REGULATIONS.
2. ALL DIMENSIONS ARE IN INCHES.



PROPRIETARY AND CONFIDENTIAL
THE INFORMATION CONTAINED IN THIS
DRAWING IS THE SOLE PROPERTY OF
BLACKHAWKLABS. ANY REPRODUCTION
IN PART OR AS A WHOLE WITHOUT
THE WRITTEN PERMISSION OF
BLACKHAWKLABS IS PROHIBITED.

COMMENTS:
MRQ300V16
Sheet 2/2

TITLE:
MiniRaQ Standard

SIZE C	DWG. NO. 90-089	DATE 3-22-11	REV 2
SCALE: 1:8		WEIGHT: 48 lbs	
SHEET 2 OF 2			