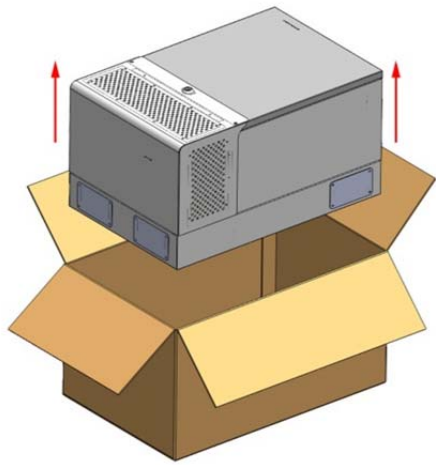
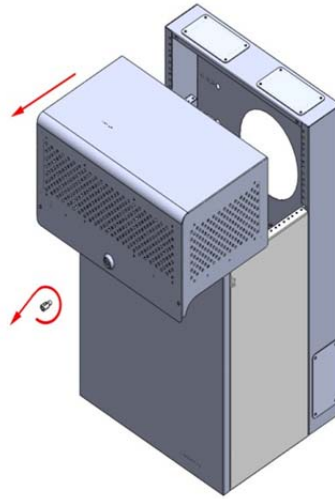


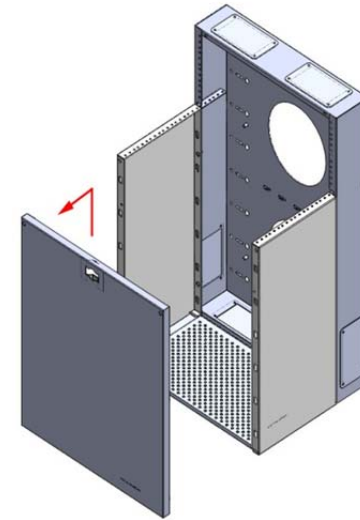
Quick Reference Guide - Unpacking and Disassembling



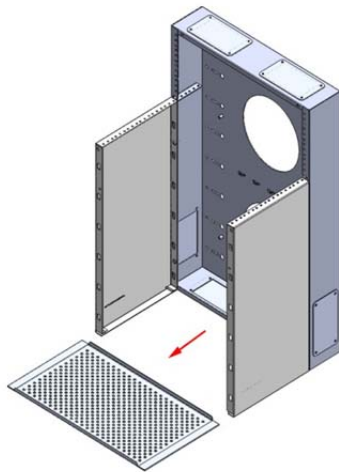
Remove Unit from Packaging



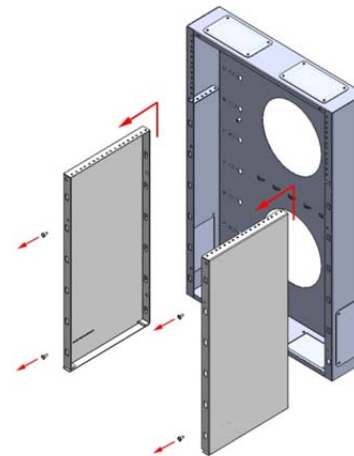
Unlock and Remove Cover



Lift and Remove Front Panel

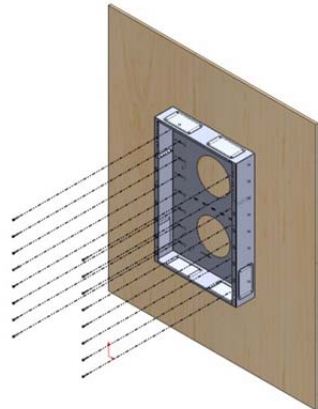


Remove Vent Tray

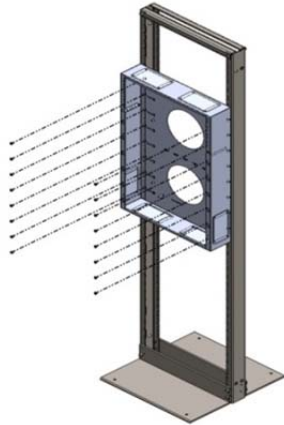


**Remove Screws
Lift and Remove Side Panels**

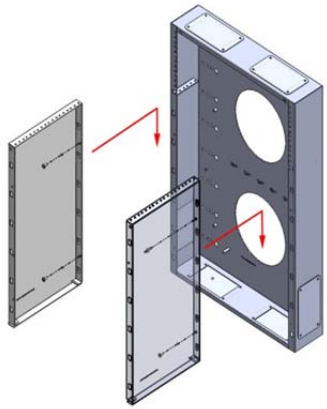
Quick Reference Guide - Installation



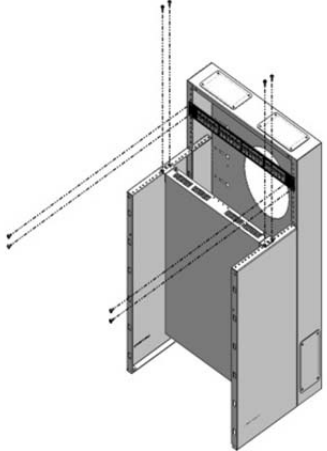
Backplate Wall-Mount



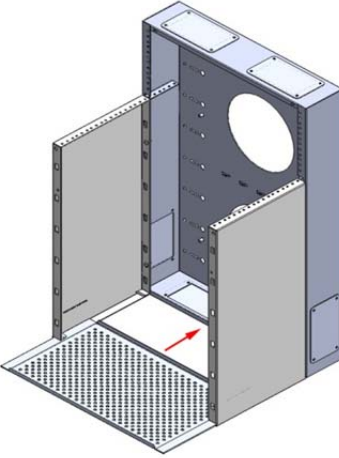
Backplate Rack-Mount



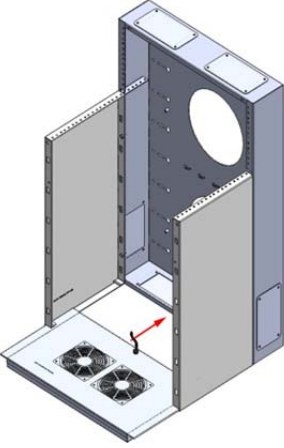
Side Panels



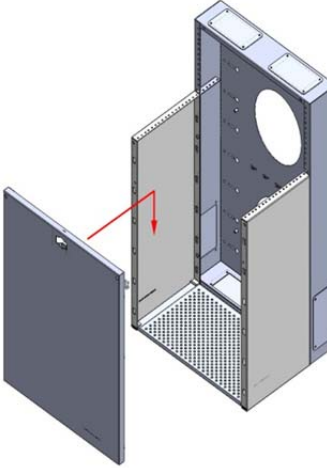
Equipment



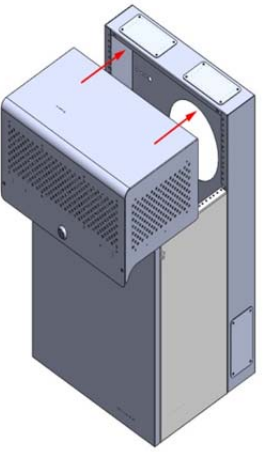
Vent Tray



Fan Tray (Optional)



Front Panel



Locking Cover