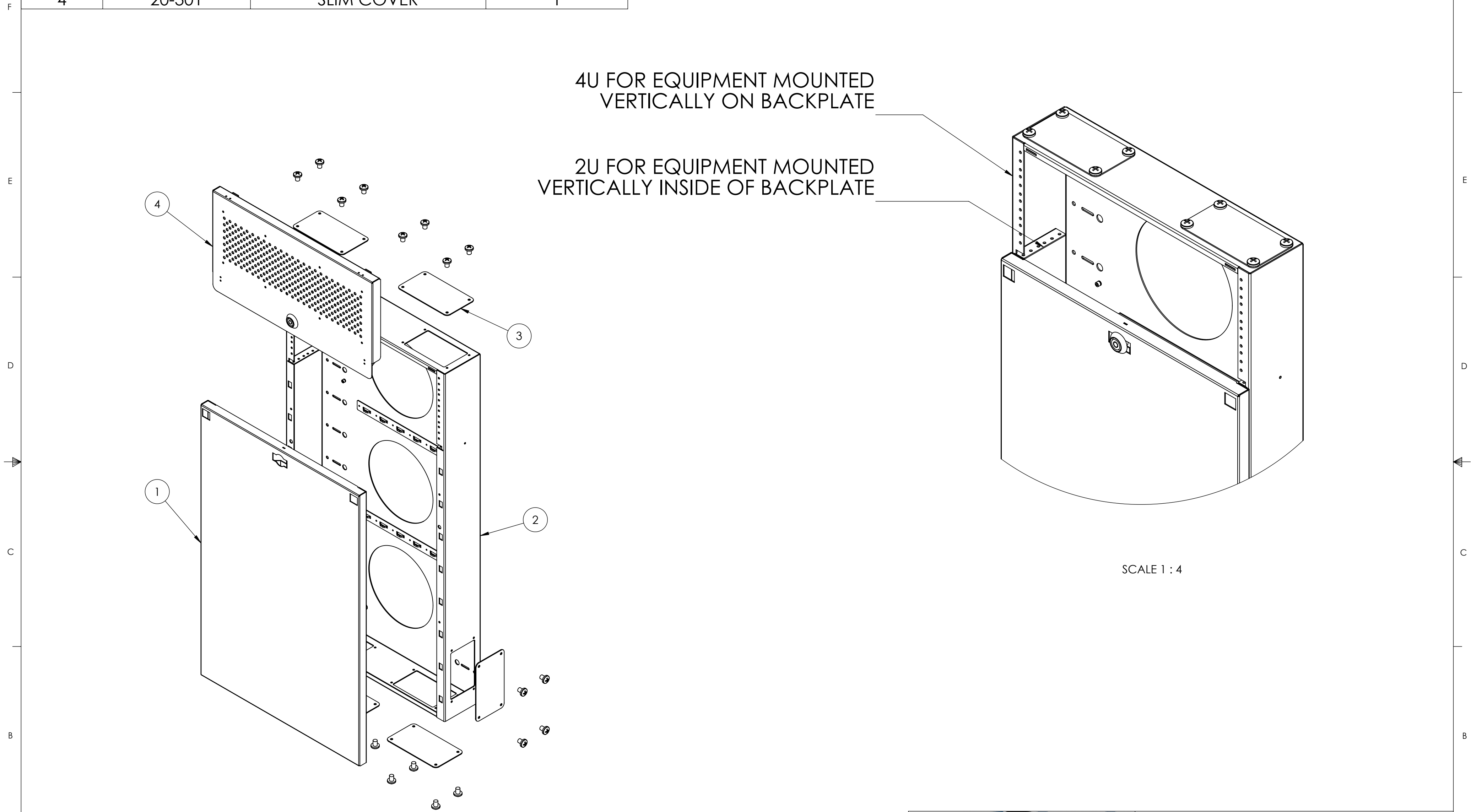


ITEM NO.	PART NUMBER	DESCRIPTION	QTY.
1	20-256-4	FRONT PANEL TALL	1
2	20-255-4	BACKPLATE TALL	1
3	20-238	RECTANGULAR PLATE	6
4	20-301	SLIM COVER	1

REVISIONS			
REV.	DESCRIPTION	DATE	APPROVED
2	INITIAL PRODUCTION RELEASE	3/6/2011	TW
4	REVISION 4 PRODUCTION RELEASE	5/26/2014	TW



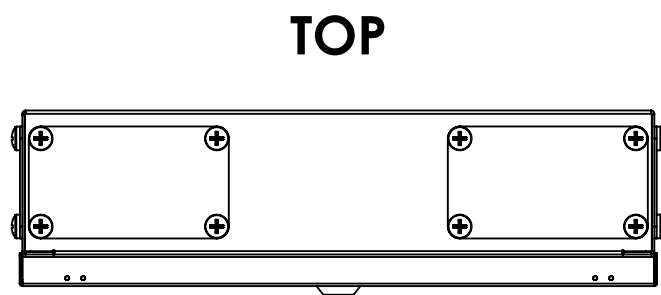
**NOTES:**

1. INSTALLATION MUST COMPLY WITH NATIONAL AND LOCAL ELECTRICAL REGULATIONS.
2. ALL DIMENSIONS ARE IN INCHES.
3. NET WEIGHT OF BASIC UNIT IS 41 LBS.
4. CABLE ENTRY IS TOP, BOTTOM AND SIDES OF UNIT.
5. EQUIPMENT MOUNTING IS 12-24 TAPPED IN EIA PATTERN.
6. CAPACITY IS 400 LBS. WHEN MOUNTED AS RECOMMENDED.
7. CONSTRUCTION IS HEAVY GAUGE C.R. STEEL WITH BLACK POWDER COAT FINISH.

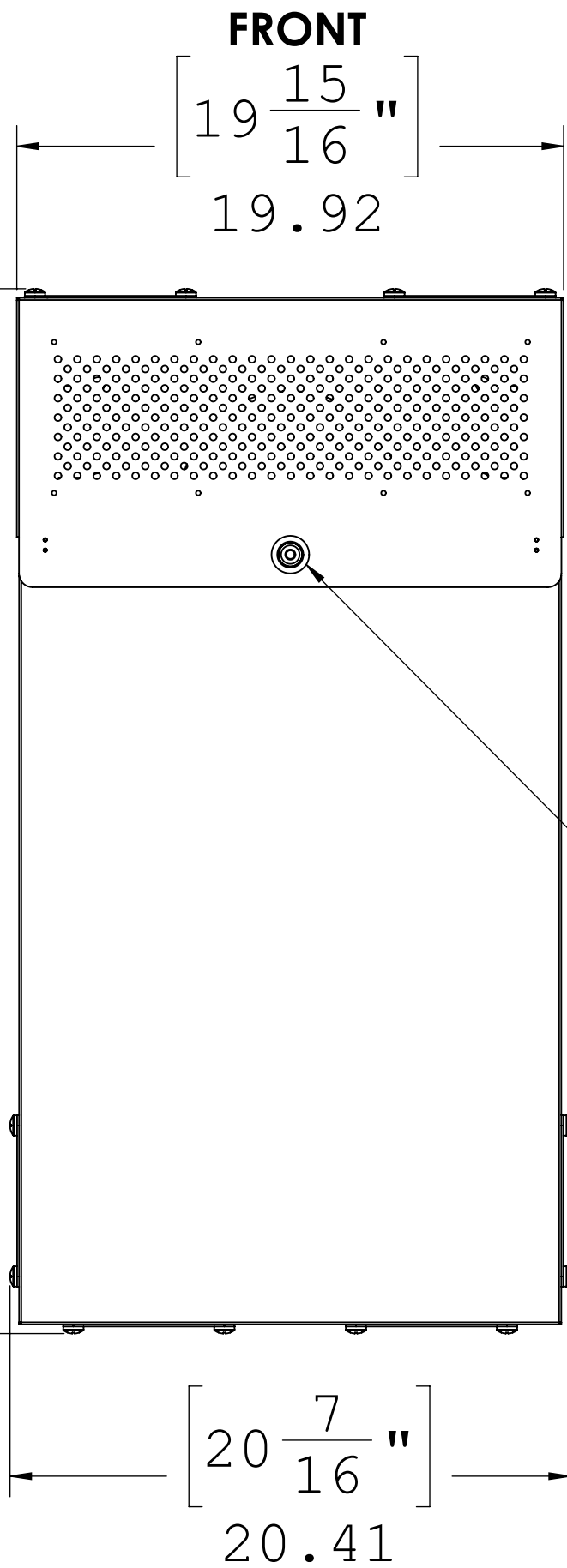


**PROPRIETARY AND CONFIDENTIAL**  
 THE INFORMATION CONTAINED IN THIS DRAWING IS THE SOLE PROPERTY OF BLACKHAWKLABS. ANY REPRODUCTION IN PART OR AS A WHOLE WITHOUT THE WRITTEN PERMISSION OF BLACKHAWKLABS IS PROHIBITED.

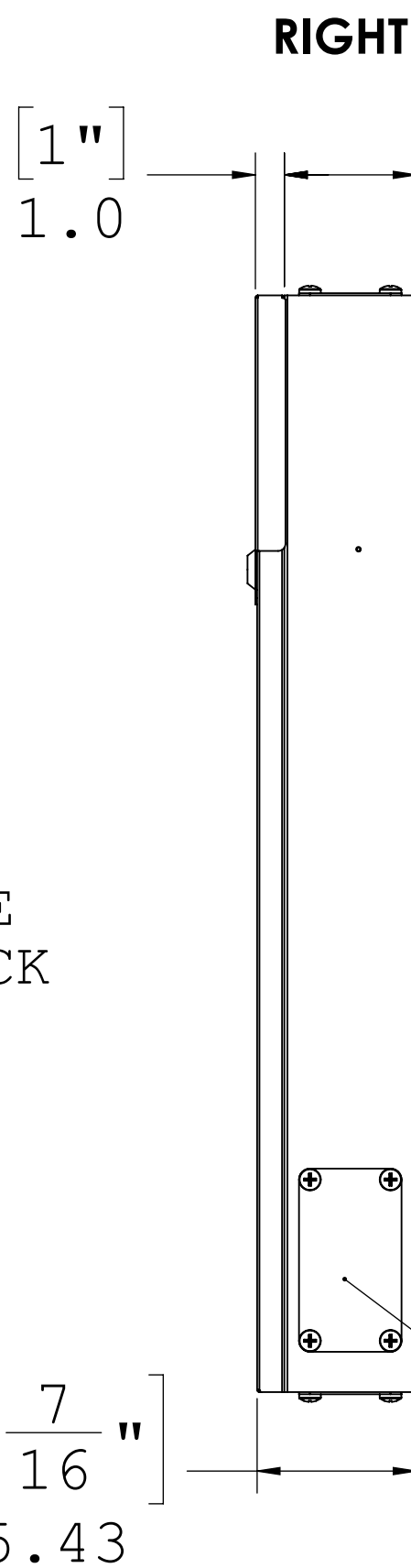
COMMENTS:			
MRQ301S06 Sheet 1/2			
TITLE:			
MiniRaQ Secure, Tall			
SIZE	DWG. NO.	DATE	REV
<b>C</b>	90-074	3-6-11	<b>4</b>
SCALE: 1:8		WEIGHT: 41 lbs	SHEET 1 OF 2



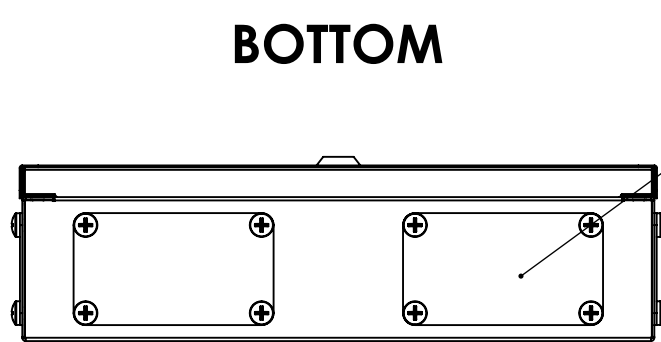
**TOP**



**FRONT**



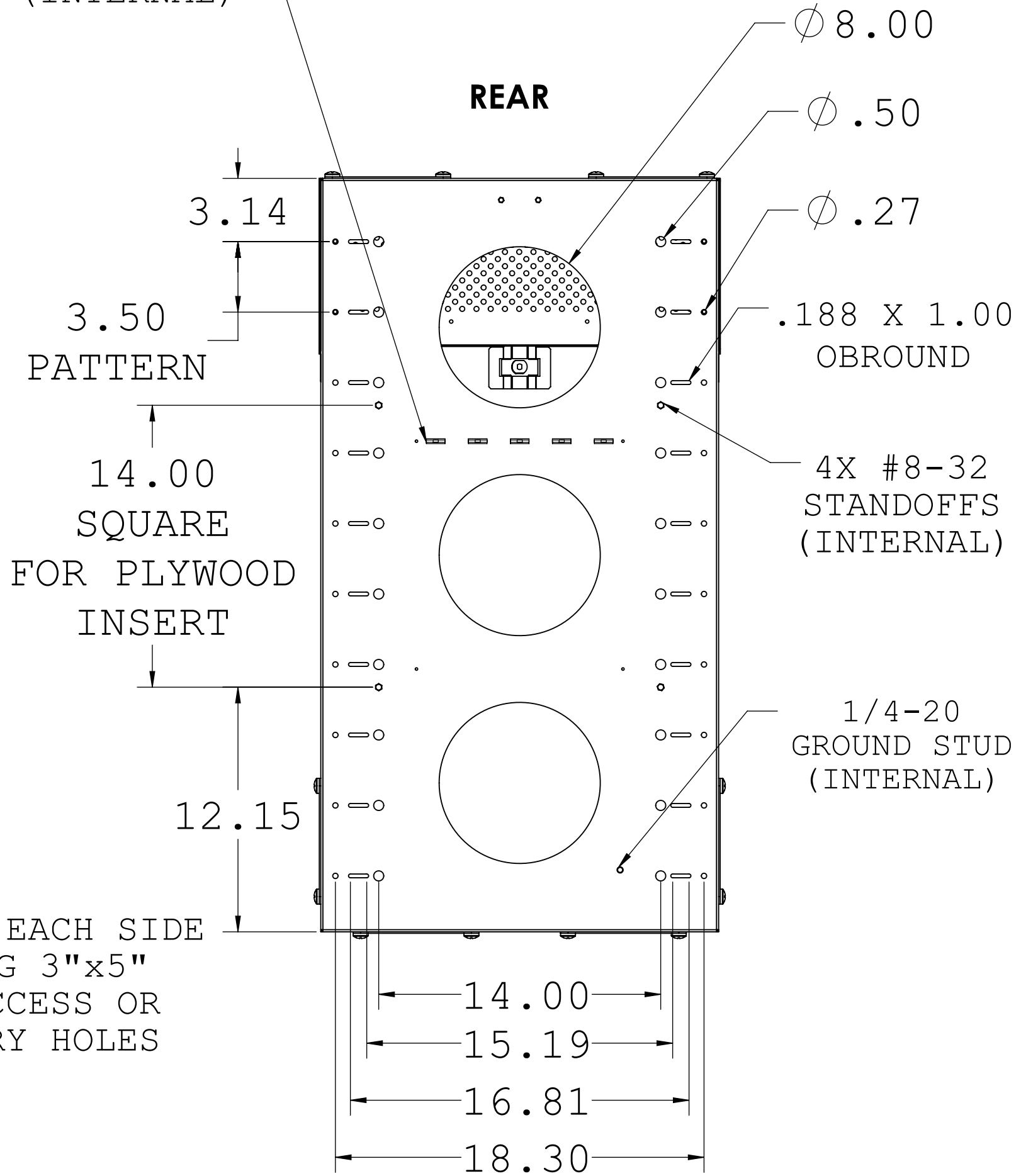
**RIGHT**



**BOTTOM**

TWO PLATES COVERING 3"x5" CABLE ACCESS OR ACCESSORY HOLES

10 RAISED BRIDGE LANCES FOR CABLE MANAGEMENT (INTERNAL)



**REAR**

- NOTES:**
1. INSTALLATION MUST COMPLY WITH NATIONAL AND LOCAL ELECTRICAL REGULATIONS.
  2. ALL DIMENSIONS ARE IN INCHES.



**PROPRIETARY AND CONFIDENTIAL**  
 THE INFORMATION CONTAINED IN THIS DRAWING IS THE SOLE PROPERTY OF BLACKHAWKLABS. ANY REPRODUCTION IN PART OR AS A WHOLE WITHOUT THE WRITTEN PERMISSION OF BLACKHAWKLABS IS PROHIBITED.

COMMENTS:			
MRQ301S06 Sheet 2/2			
TITLE: MiniRaQ Secure, Tall			
SIZE <b>C</b>	DWG. NO. 90-074	DATE 3-6-11	REV <b>4</b>
SCALE: 1:6		WEIGHT: 41 lbs	SHEET 2 OF 2