

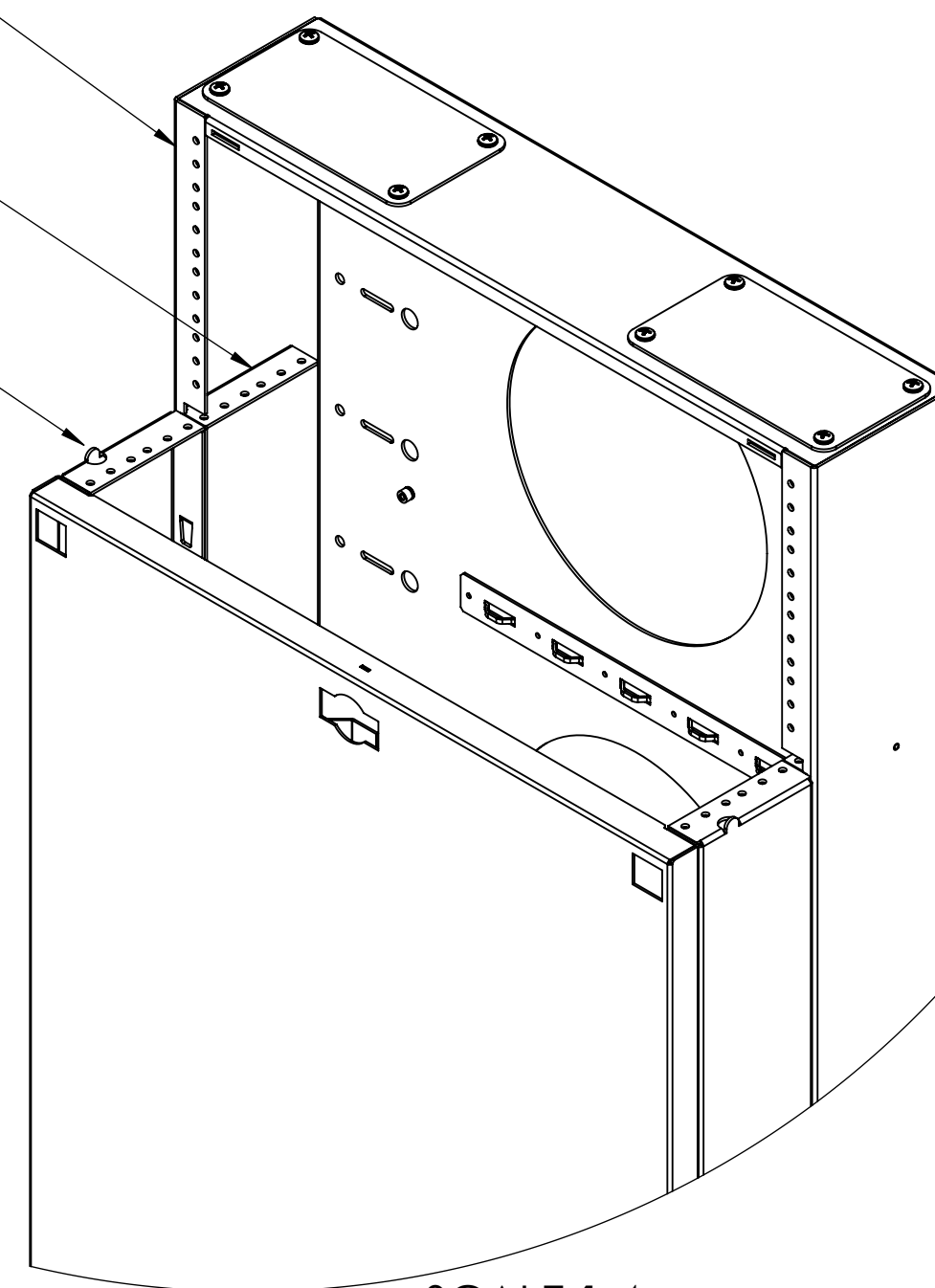
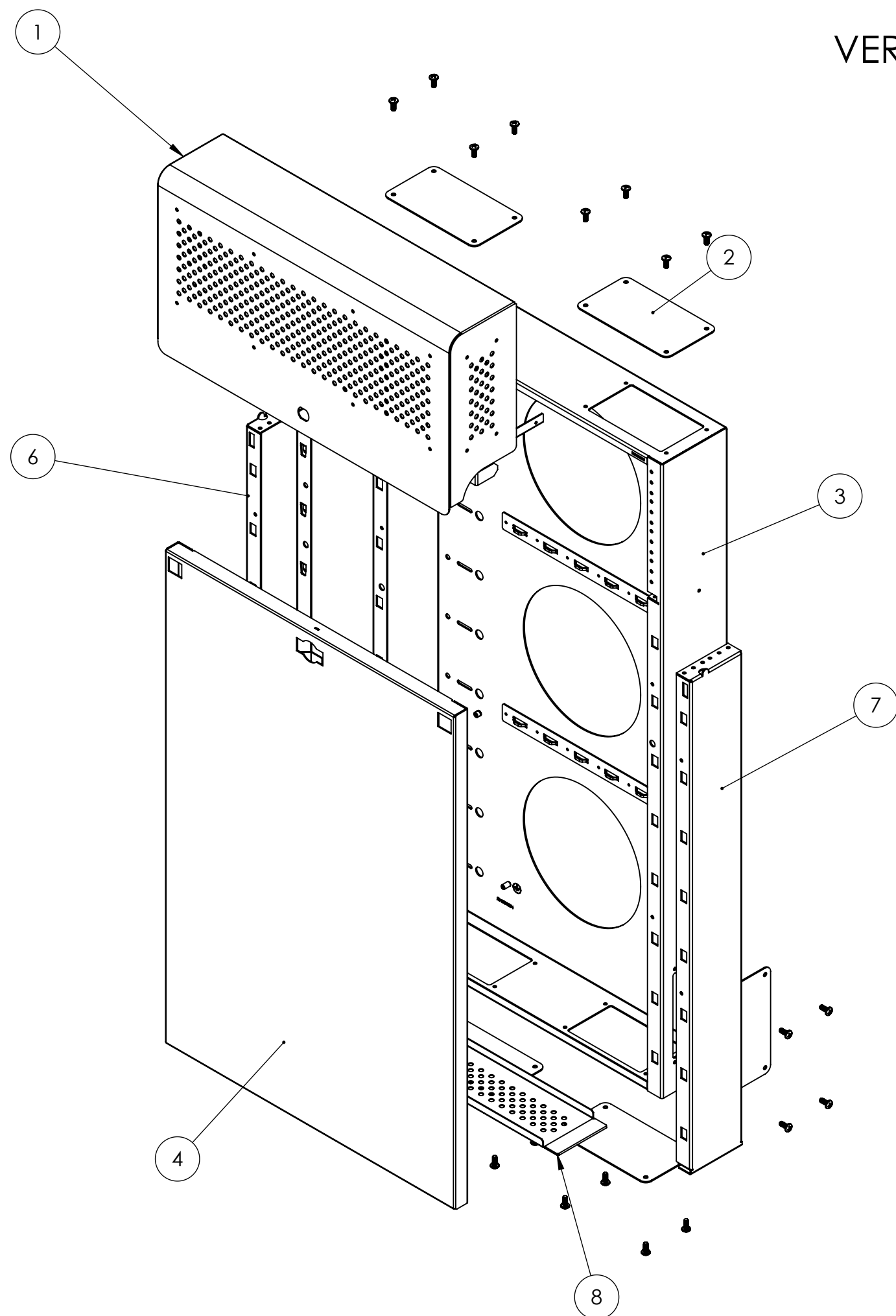
ITEM #	PART #	DESCRIPTION	QTY.
1	20-323_1	COVER 8U MRQ3XX	1
2	20-238-4	RECTANGULAR PLATE	6
3	20-255-4	BACKPLATE TALL	1
4	20-233-4	FRONT PANEL TALL	1
6	20-316_1	LEFT SIDE PANEL TALL	1
7	20-315_1	RIGHT SIDE PANEL TALL	1
8	20-322_1	VENT TRAY	1

REVISIONS			
REV.	DESCRIPTION	DATE	APPROVED
2	INITIAL PRODUCTION RELEASE	3/6/2011	TW
4	REVISION 4 PRODUCTION RELEASE	5/26/2014	TW

4U FOR EQUIPMENT MOUNTED VERTICALLY ON BACKPLATE

2U FOR EQUIPMENT MOUNTED VERTICALLY INSIDE OF BACKPLATE

2U FOR EQUIPMENT MOUNTED VERTICALLY ON SIDE PANELS



SCALE 1:4

**NOTES:**

1. INSTALLATION MUST COMPLY WITH NATIONAL AND LOCAL ELECTRICAL REGULATIONS.
2. ALL DIMENSIONS ARE IN INCHES.
3. NET WEIGHT OF BASIC UNIT IS 51 LBS.
4. CABLE ENTRY IS TOP, BOTTOM AND SIDES OF UNIT.
5. EQUIPMENT MOUNTING IS 12-24 TAPPED IN EIA PATTERN.
6. CAPACITY IS 400 LBS. WHEN MOUNTED AS RECOMMENDED.
7. CONSTRUCTION IS HEAVY GAUGE C.R. STEEL WITH BLACK POWDER COAT FINISH.



**PROPRIETARY AND CONFIDENTIAL**  
 THE INFORMATION CONTAINED IN THIS DRAWING IS THE SOLE PROPERTY OF BLACKHAWKLABS. ANY REPRODUCTION IN PART OR AS A WHOLE WITHOUT THE WRITTEN PERMISSION OF BLACKHAWKLABS IS PROHIBITED.

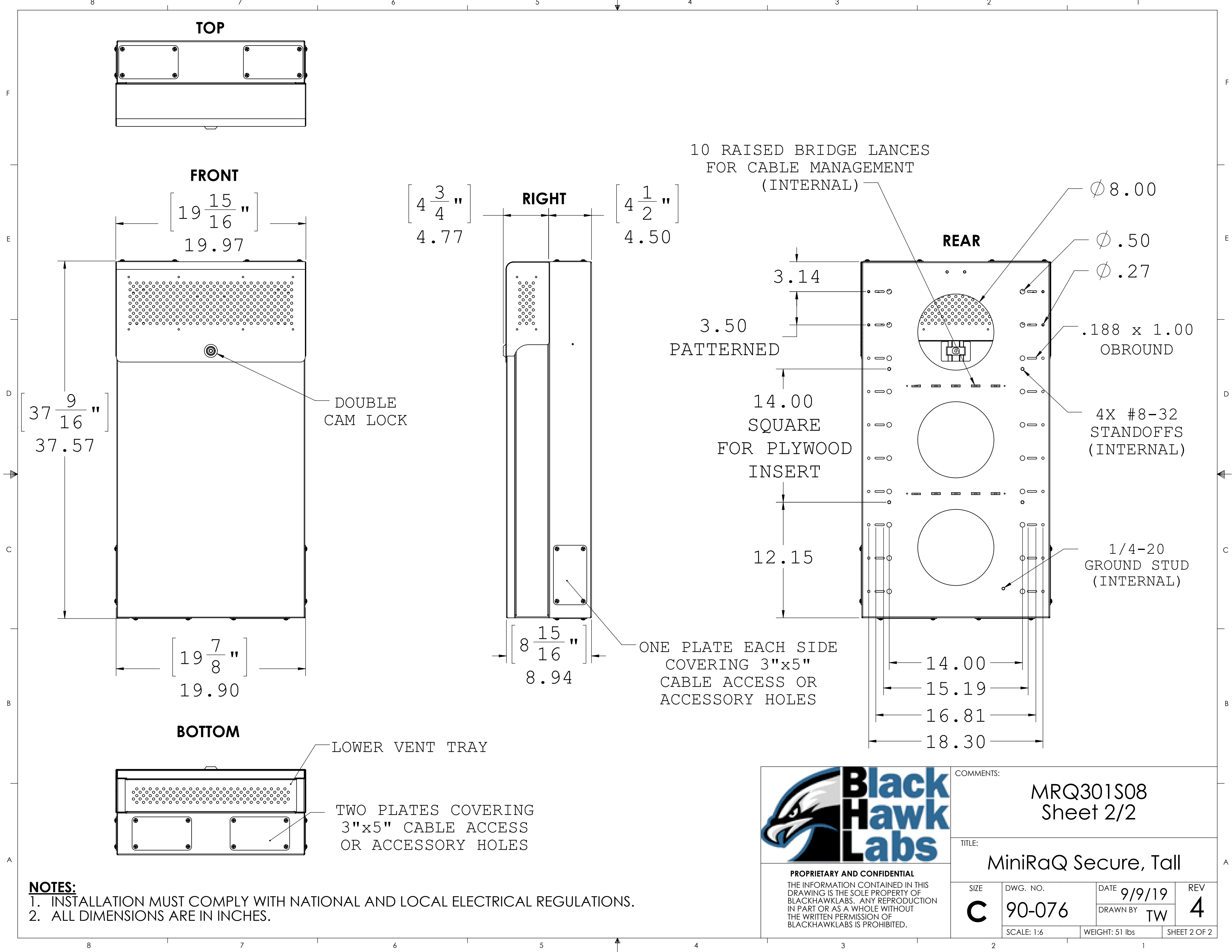
COMMENTS:

MRQ301S08  
 Sheet 1/2

TITLE:

MiniRaQ Secure, Tall

SIZE <b>C</b>	DWG. NO. <b>90-076</b>	DATE <b>9/9/19</b>	REV <b>4</b>
		DRAWN BY <b>TW</b>	
SCALE: 1:8		WEIGHT: 51 lbs	SHEET 1 OF 2



**NOTES:**  
 1. INSTALLATION MUST COMPLY WITH NATIONAL AND LOCAL ELECTRICAL REGULATIONS.  
 2. ALL DIMENSIONS ARE IN INCHES.



**PROPRIETARY AND CONFIDENTIAL**  
 THE INFORMATION CONTAINED IN THIS DRAWING IS THE SOLE PROPERTY OF BLACKHAWKLABS. ANY REPRODUCTION IN PART OR AS A WHOLE WITHOUT THE WRITTEN PERMISSION OF BLACKHAWKLABS IS PROHIBITED.

COMMENTS:			
MRQ301S08 Sheet 2/2			
TITLE: MiniRaQ Secure, Tall			
SIZE <b>C</b>	DWG. NO. 90-076	DATE 9/9/19	REV <b>4</b>
SCALE: 1:6		WEIGHT: 51 lbs	SHEET 2 OF 2