

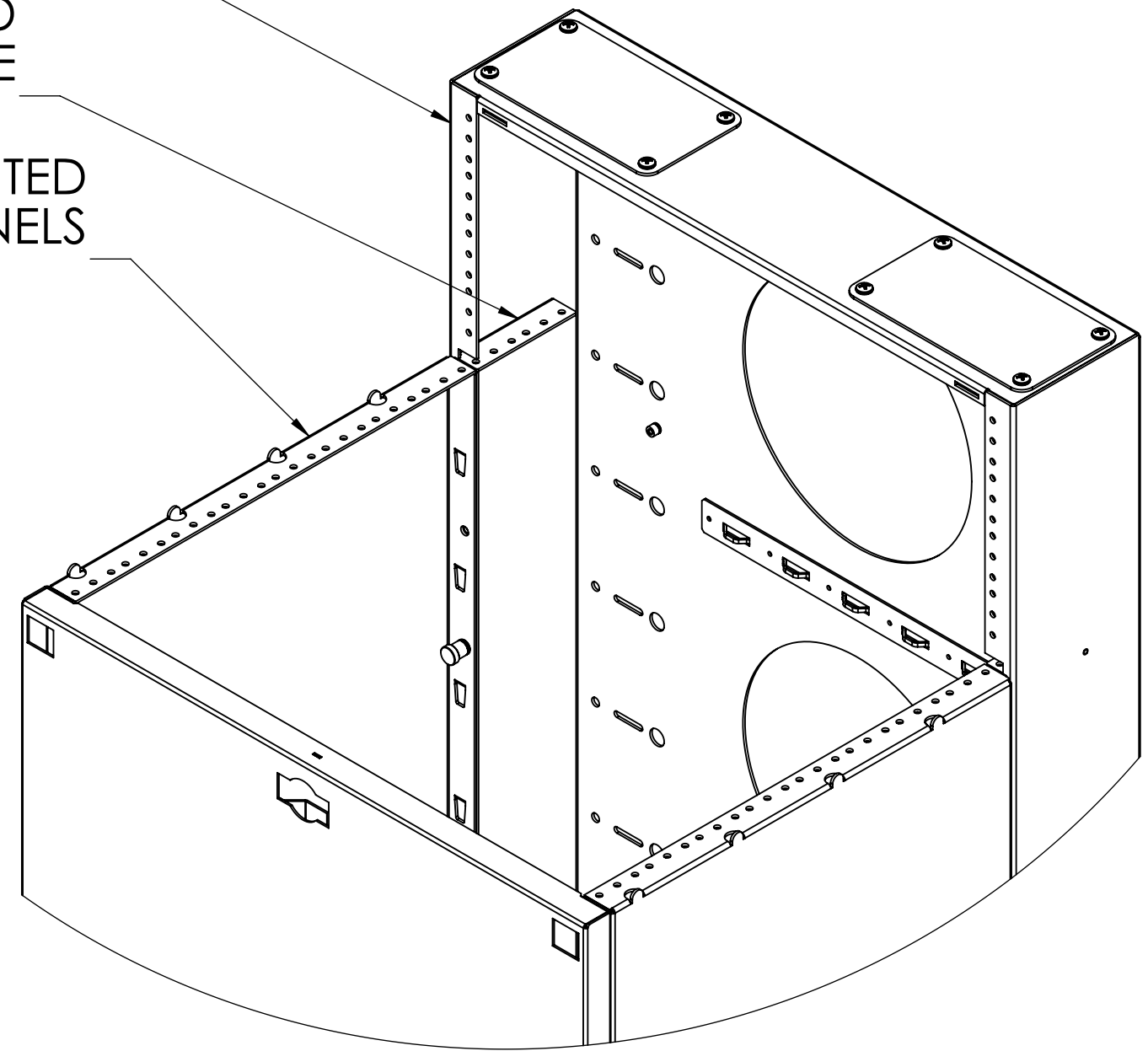
ITEM #	PART #	DESCRIPTION	QTY.
1	20-204-4	VENT TRAY	1
2	20-236-4	COVER	1
3	20-238-4	RECTANGULAR PLATE	6
4	20-251-4	RIGHT SIDE PANEL TALL	1
5	20-252-4	LEFT SIDE PANEL TALL	1
6	20-255-4	BACKPLATE TALL	1
7	20-256-4	FRONT PANEL TALL	1

REVISIONS			
REV.	DESCRIPTION	DATE	APPROVED
2	INITIAL PRODUCTION RELEASE	3/6/2011	TW
4	REVISION 4 PRODUCTION RELEASE	5/26/2014	TW

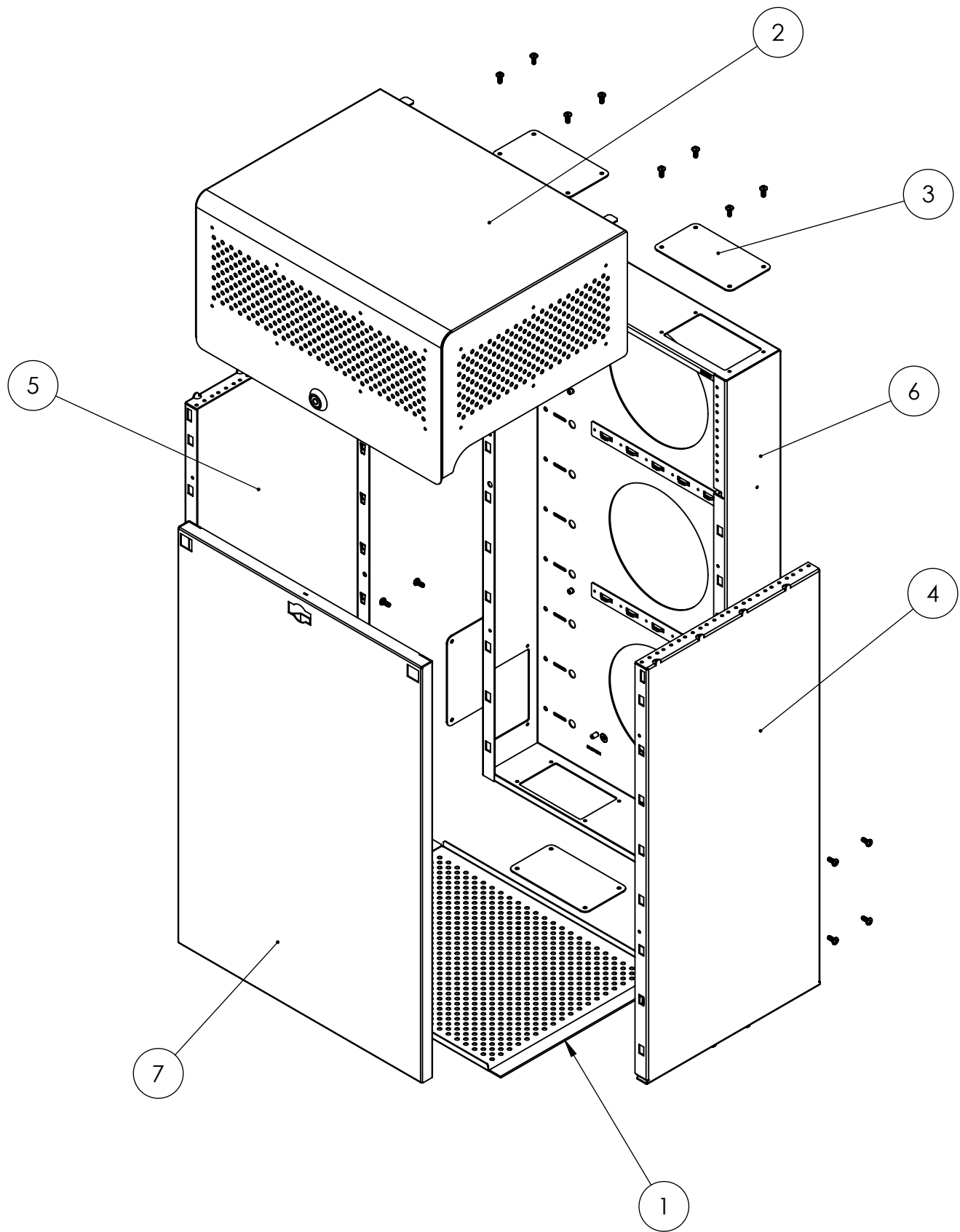
4U FOR EQUIPMENT MOUNTED  
VERTICALLY ON BACKPLATE

2U FOR EQUIPMENT MOUNTED  
VERTICALLY INSIDE OF BACKPLATE

8U FOR EQUIPMENT MOUNTED  
VERTICALLY ON SIDE PANELS



SCALE 1:4



**NOTES:**

1. INSTALLATION MUST COMPLY WITH NATIONAL AND LOCAL ELECTRICAL REGULATIONS.
2. ALL DIMENSIONS ARE IN INCHES.
3. NET WEIGHT OF BASIC UNIT IS 73 LBS.
4. CABLE ENTRY IS TOP, BOTTOM AND SIDES OF UNIT.
5. EQUIPMENT MOUNTING IS 12-24 TAPPED IN EIA PATTERN.
6. CAPACITY IS 400 LBS. WHEN MOUNTED AS RECOMMENDED.
7. CONSTRUCTION IS HEAVY GAUGE C.R. STEEL WITH BLACK POWDER COAT FINISH.



**PROPRIETARY AND CONFIDENTIAL**  
THE INFORMATION CONTAINED IN THIS DRAWING IS THE SOLE PROPERTY OF BLACKHAWKLABS. ANY REPRODUCTION IN PART OR AS A WHOLE WITHOUT THE WRITTEN PERMISSION OF BLACKHAWKLABS IS PROHIBITED.

COMMENTS:

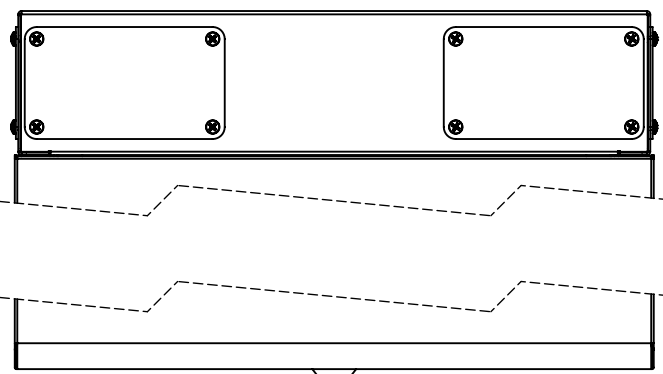
MRQ301S14  
Sheet 1/2

TITLE:

MiniRaQ Secure Tall

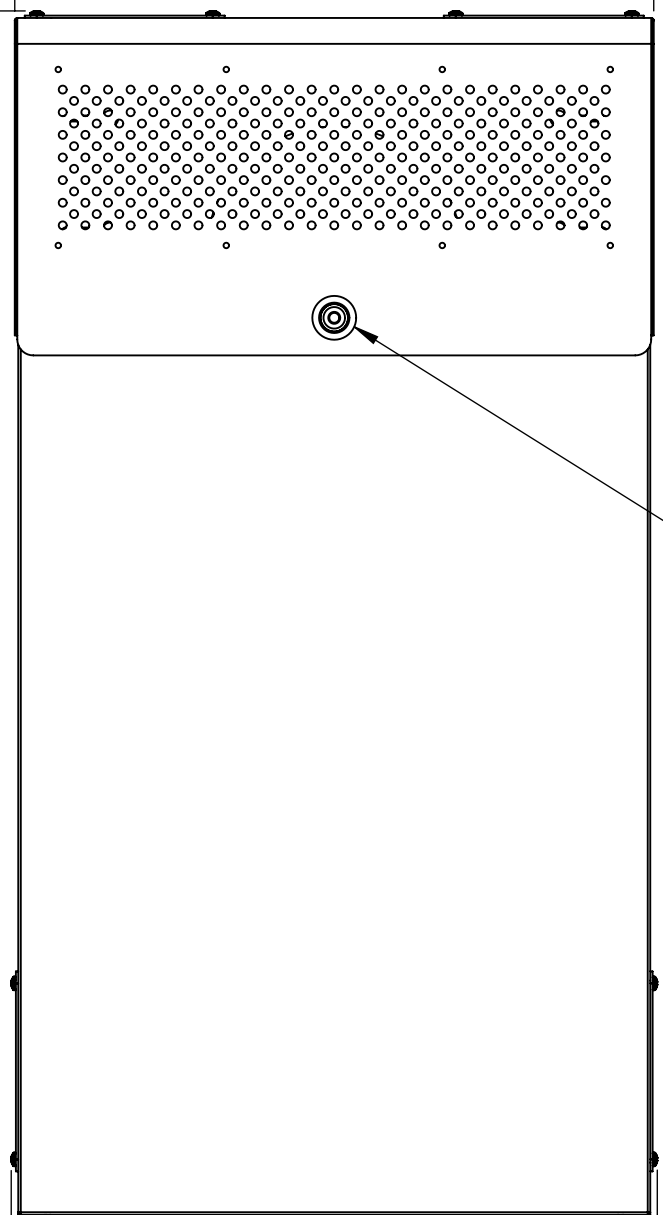
SIZE <b>C</b>	DWG. NO. <b>90-067</b>	DATE <b>3-6-11</b>	REV <b>4</b>
	SCALE: 1:8	WEIGHT: 73 lbs	SHEET 1 OF 2

TOP



FRONT

$19 \frac{15}{16}$  "  
19.97

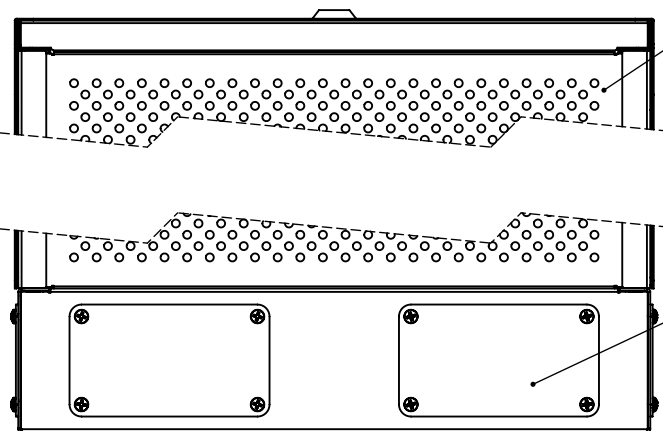


$37 \frac{7}{8}$  "  
37.86

DOUBLE  
CAM LOCK

$20 \frac{3}{16}$  "  
20.19

BOTTOM

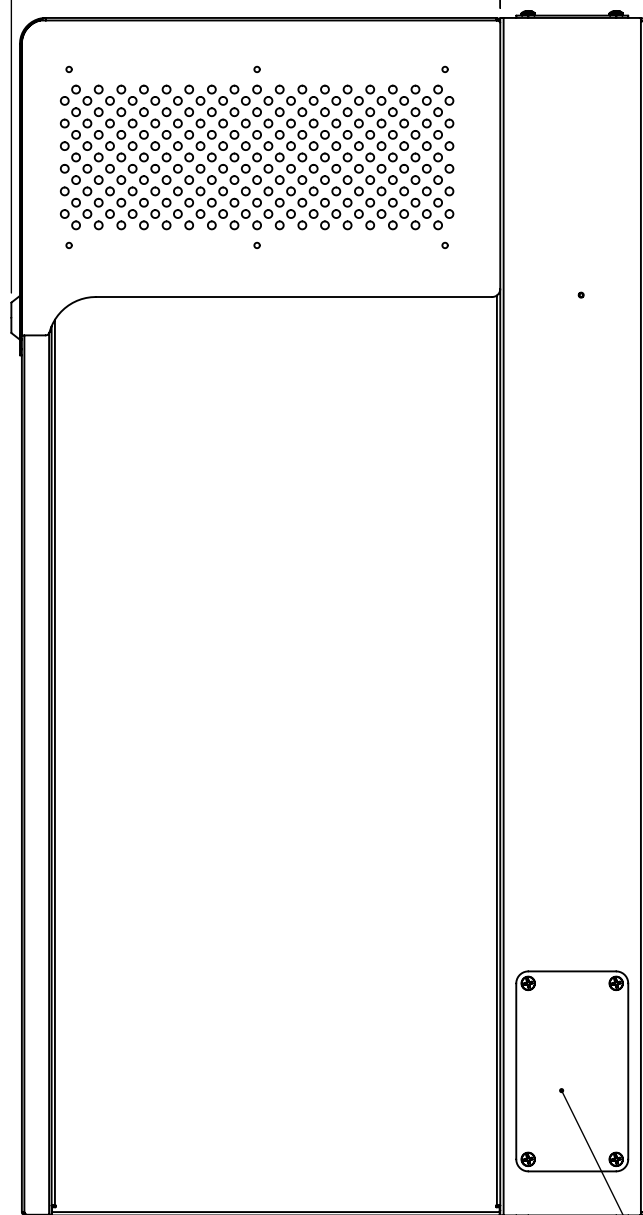


LOWER VENT TRAY

TWO PLATES COVERING  
3"x5" CABLE ACCESS OR  
ACCESSORY HOLES

RIGHT

$15 \frac{1}{4}$  "  
15.28



$4 \frac{1}{2}$  "  
4.50

ONE PLATE EACH SIDE  
COVERING 3"x5" CABLE  
ACCESS OR ACCESSORY  
HOLES

$19 \frac{7}{16}$  "  
19.45

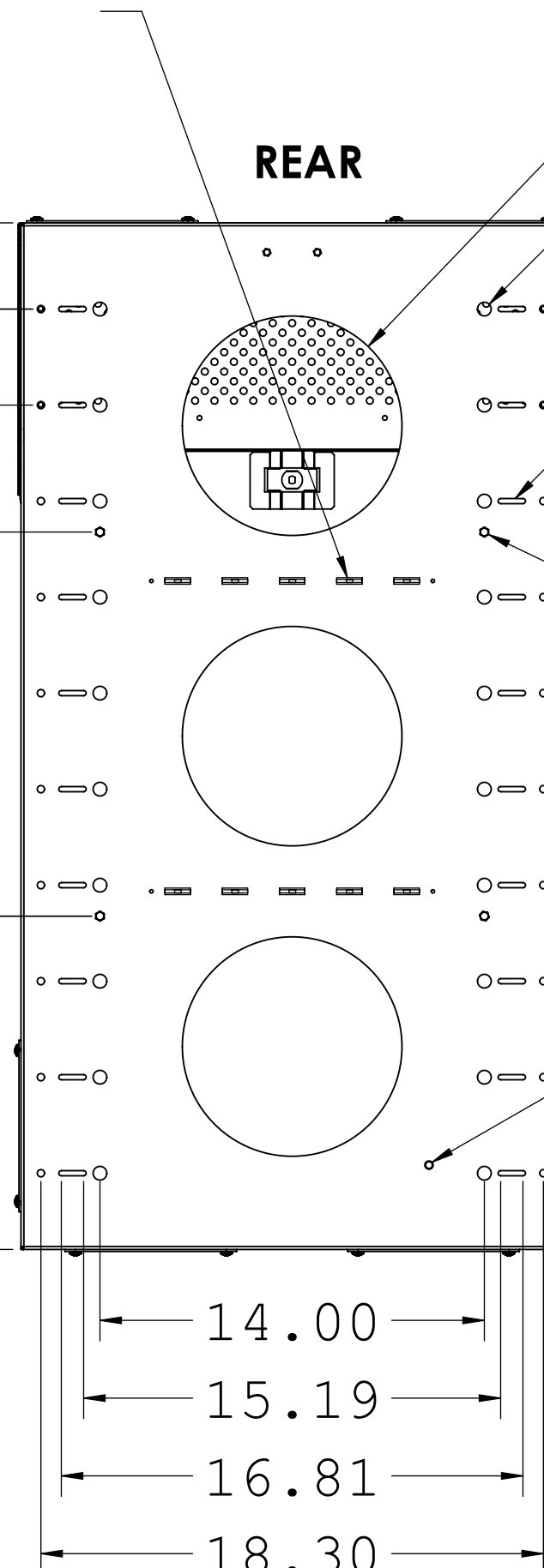
10 RAISED BRIDGE  
LANCES FOR CABLE  
MANAGEMENT (INTERNAL)

REAR

3.14  
3.50  
PATTERNED

14.00  
SQUARE  
FOR PLYWOOD  
INSERT

12.15



$\phi 8.00$   
 $\phi .50$   
 $\phi .27$

.188 X 1.00  
OBROUND

4X #8-32  
STANDOFFS  
(INTERNAL)

1/4-20  
GROUND STUD  
(INTERNAL)

14.00  
15.19  
16.81  
18.30



**PROPRIETARY AND CONFIDENTIAL**  
THE INFORMATION CONTAINED IN THIS  
DRAWING IS THE SOLE PROPERTY OF  
BLACKHAWKLABS. ANY REPRODUCTION  
IN PART OR AS A WHOLE WITHOUT  
THE WRITTEN PERMISSION OF  
BLACKHAWKLABS IS PROHIBITED.

COMMENTS:

MRQ301S14  
Sheet 2/2

TITLE:

MiniRaQ Secure Tall

SIZE <b>C</b>	DWG. NO. <b>90-067</b>	DATE <b>3-6-11</b>	REV <b>4</b>
	SCALE: 1:6	DRAWN BY <b>TB</b>	WEIGHT: 73 lbs
		SHEET 2 OF 2	

**NOTES:**  
1. INSTALLATION MUST COMPLY WITH NATIONAL AND LOCAL ELECTRICAL REGULATIONS.  
2. ALL DIMENSIONS ARE IN INCHES.