

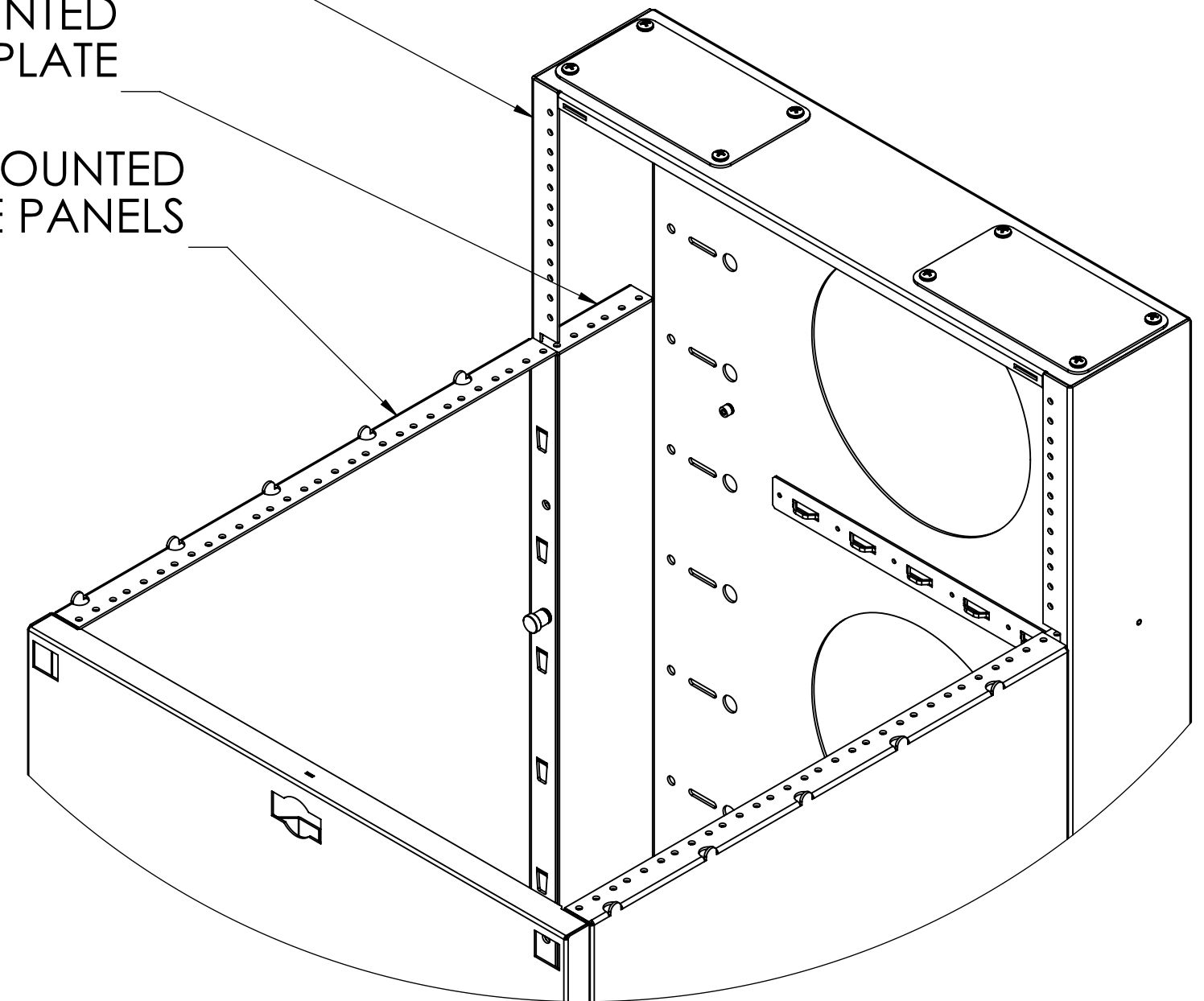
ITEM #	PART #	DESCRIPTION	QTY.
1	20-205-4	VENT TRAY	1
2	20-237-4	COVER	1
3	20-238-4	RECTANGULAR PLATE	6
4	20-253-4	RIGHT SIDE PANEL TALL	1
5	20-254-4	LEFT SIDE PANEL TALL	1
6	20-255-4	BACKPLATE TALL	1
7	20-256-4	FRONT PANEL TALL	1

REVISIONS			
REV.	DESCRIPTION	DATE	APPROVED
2	INITIAL PRODUCTION RELEASE	3/6/2011	TW
4	REVISION 4 PRODUCTION RELEASE	5/26/2014	TW

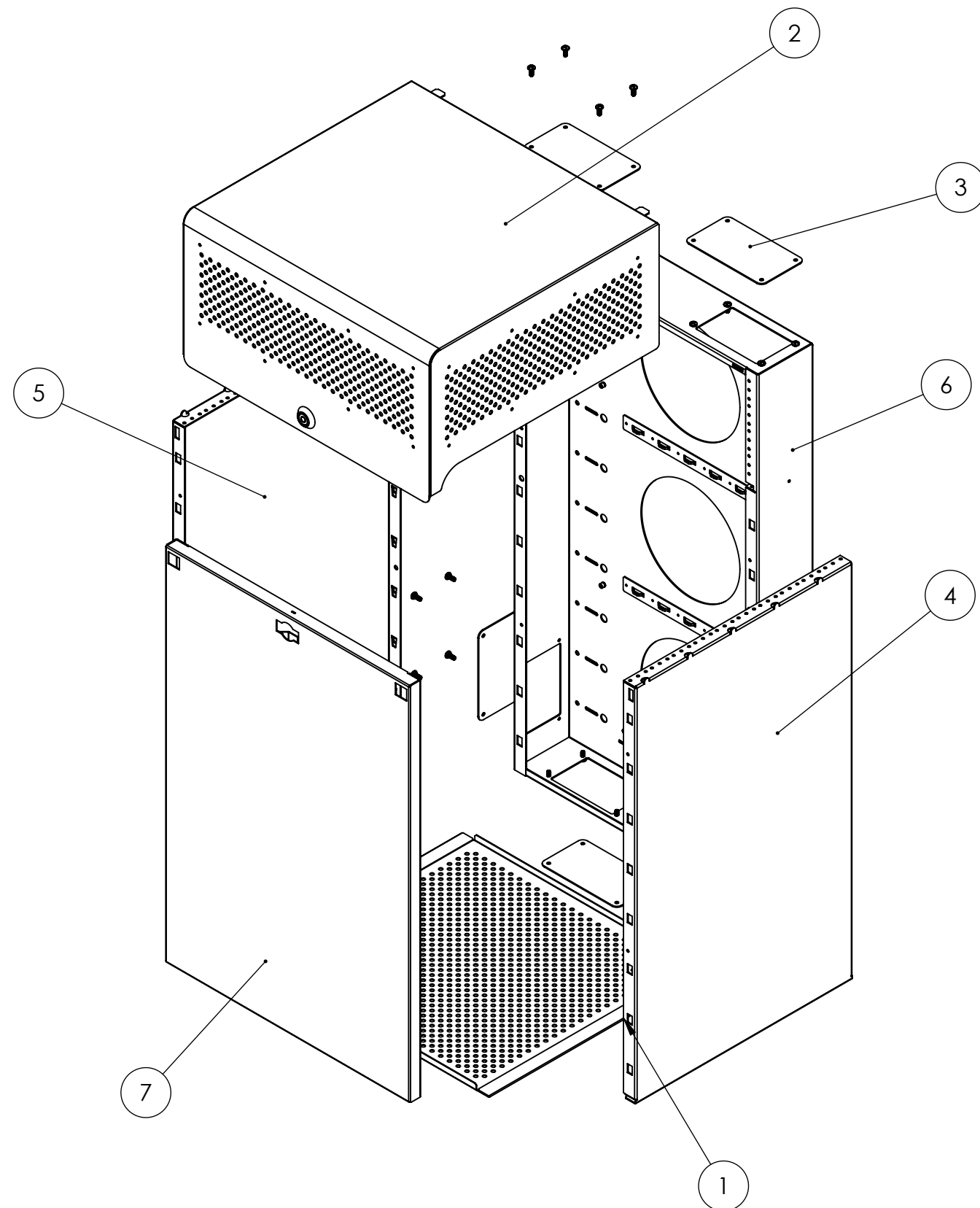
4U FOR EQUIPMENT MOUNTED
VERTICALLY ON BACKPLATE

2U FOR EQUIPMENT MOUNTED
VERTICALLY INSIDE OF BACKPLATE

10U FOR EQUIPMENT MOUNTED
VERTICALLY ON SIDE PANELS



SCALE 1:4



NOTES:

1. INSTALLATION MUST COMPLY WITH NATIONAL AND LOCAL ELECTRICAL REGULATIONS.
2. ALL DIMENSIONS ARE IN INCHES.
3. NET WEIGHT OF BASIC UNIT IS 81 LBS.
4. CABLE ENTRY IS TOP, BOTTOM AND SIDES OF UNIT.
5. EQUIPMENT MOUNTING IS 12-24 TAPPED IN EIA PATTERN.
6. CAPACITY IS 400 LBS. WHEN MOUNTED AS RECOMMENDED.
7. CONSTRUCTION IS HEAVY GAUGE C.R. STEEL WITH BLACK POWDER COAT FINISH.



PROPRIETARY AND CONFIDENTIAL
THE INFORMATION CONTAINED IN THIS DRAWING IS THE SOLE PROPERTY OF BLACKHAWKLABS. ANY REPRODUCTION IN PART OR AS A WHOLE WITHOUT THE WRITTEN PERMISSION OF BLACKHAWKLABS IS PROHIBITED.

COMMENTS:

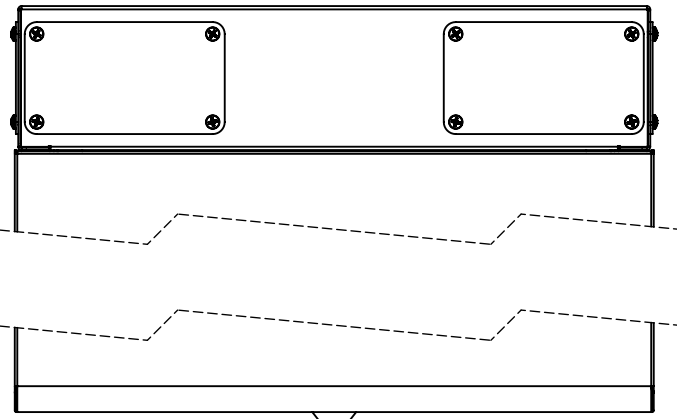
MRQ301S16
Sheet 1/2

TITLE:

MiniRaQ Secure Tall

SIZE C	DWG. NO. 90-068	DATE 3-6-11	REV 4
	SCALE: 1:8	WEIGHT: 81 lbs	SHEET 1 OF 2

TOP



FRONT

$19 \frac{15}{16}$ "
19.97

RIGHT

$18 \frac{3}{4}$ "
18.78

10 RAISED BRIDGE LANCES FOR CABLE MANAGEMENT (INTERNAL)

$4 \frac{1}{2}$ "
4.50

REAR

$\phi 8.00$
 $\phi .50$
 $\phi .27$

3.14
3.50
PATTERNED

14.00
SQUARE
FOR PLYWOOD
INSERT

.188 X 1.00
OBOUND

4X #8-32
STANDOFFS
(INTERNAL)

1/4-20
GROUND STUD
(INTERNAL)

12.15

14.00
15.19
16.81
18.30

ONE PLATE EACH SIDE
COVERING 3"x5" CABLE
ACCESS OR ACCESSORY
HOLES

DOUBLE
CAM LOCK

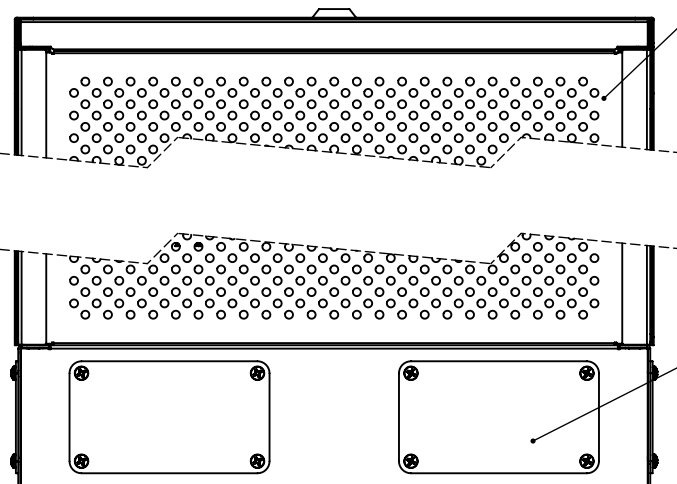
$37 \frac{7}{8}$ "
37.86

$20 \frac{3}{16}$ "
20.19

$22 \frac{15}{16}$ "
22.95

BOTTOM

LOWER VENT TRAY



TWO PLATES COVERING
3"x5" CABLE ACCESS
OR ACCESSORY HOLES

NOTES:

1. INSTALLATION MUST COMPLY WITH NATIONAL AND LOCAL ELECTRICAL REGULATIONS.
2. ALL DIMENSIONS ARE IN INCHES.



PROPRIETARY AND CONFIDENTIAL
THE INFORMATION CONTAINED IN THIS
DRAWING IS THE SOLE PROPERTY OF
BLACKHAWKLABS. ANY REPRODUCTION
IN PART OR AS A WHOLE WITHOUT
THE WRITTEN PERMISSION OF
BLACKHAWKLABS IS PROHIBITED.

COMMENTS:

MRQ301S16
Sheet 2/2

TITLE:

MiniRaQ Secure Tall

SIZE

C

DWG. NO.

90-068

DATE 3-6-11

DRAWN BY TB

REV

4

SCALE: 1:6

WEIGHT: 81 lbs

SHEET 2 OF 2