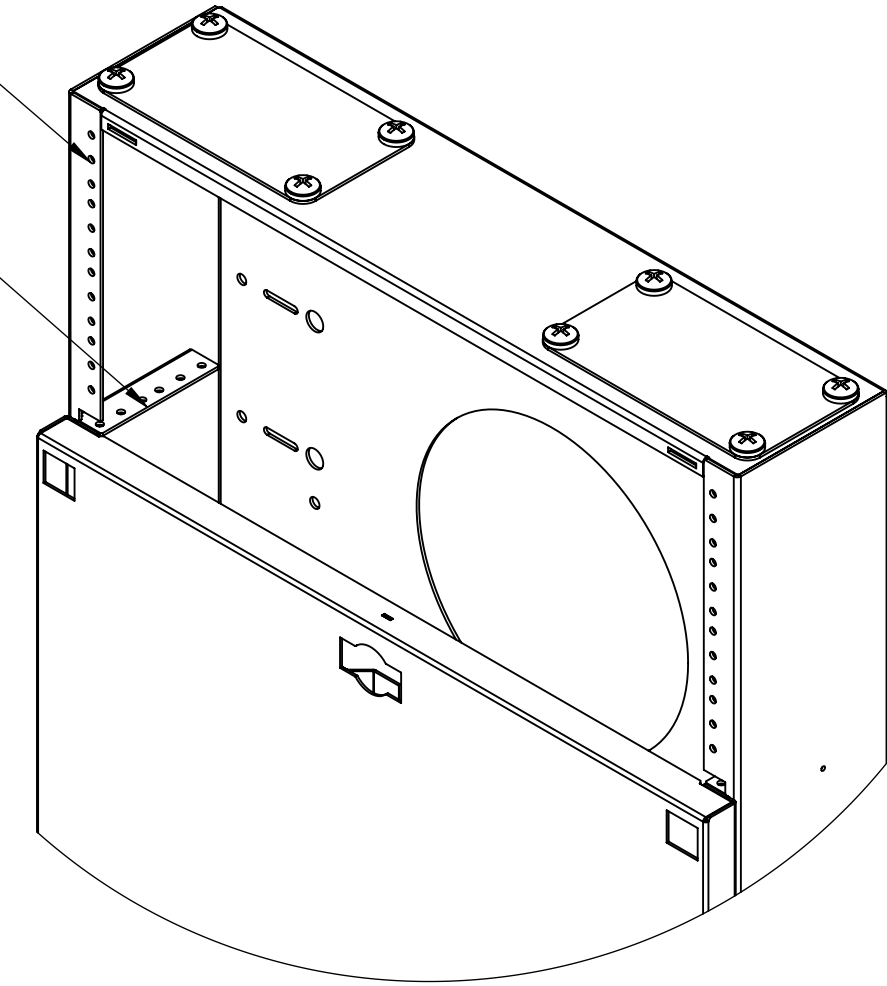
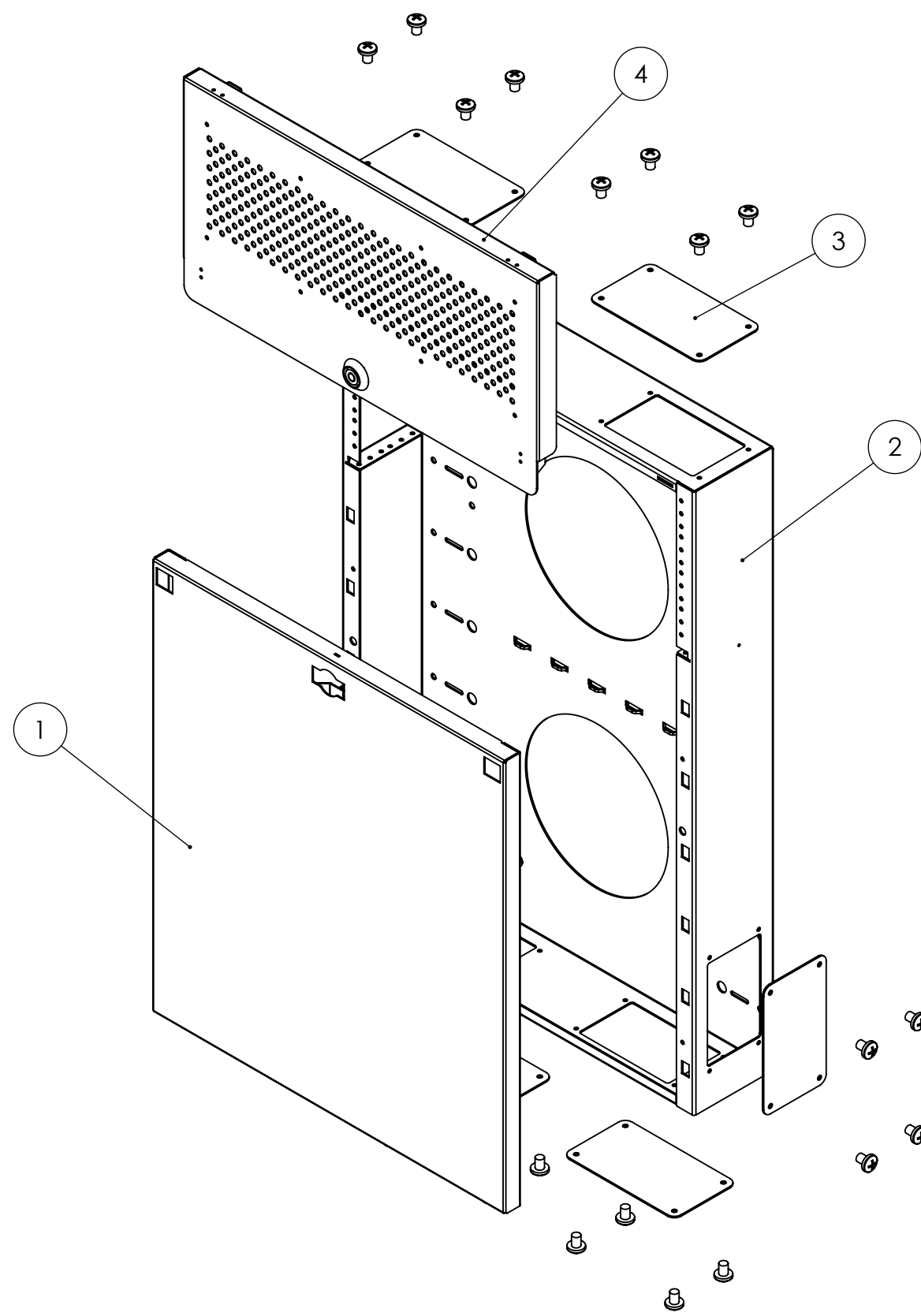


ITEM NO.	PART NUMBER	DESCRIPTION	QTY.
1	20-256	FRONT PANEL COMPACT	1
2	20-232-4	BACKPLATE COMPACT	1
3	20-238	RECTANGULAR PLATE	6
4	20-301	SLIM COVER	1

REVISIONS			
REV.	DESCRIPTION	DATE	APPROVED
2	INITIAL PRODUCTION RELEASE	3/6/2011	TW
4	REVISION 4 PRODUCTION RELEASE	10/16/2017	TW

4U FOR EQUIPMENT MOUNTED  
VERTICALLY ON BACKPLATE

2U FOR EQUIPMENT MOUNTED  
VERTICALLY INSIDE OF BACKPLATE



SCALE 1 : 4

**NOTES:**

1. INSTALLATION MUST COMPLY WITH NATIONAL AND LOCAL ELECTRICAL REGULATIONS.
2. ALL DIMENSIONS ARE IN INCHES.
3. NET WEIGHT OF BASIC UNIT IS 26 LBS.
4. CABLE ENTRY IS TOP, BOTTOM AND SIDES OF UNIT.
5. EQUIPMENT MOUNTING IS 12-24 TAPPED IN EIA PATTERN.
6. CAPACITY IS 400 LBS. WHEN MOUNTED AS RECOMMENDED.
7. CONSTRUCTION IS HEAVY GAUGE C.R. STEEL WITH BLACK POWDER COAT FINISH.



**PROPRIETARY AND CONFIDENTIAL**  
THE INFORMATION CONTAINED IN THIS DRAWING IS THE SOLE PROPERTY OF BLACKHAWKLABS. ANY REPRODUCTION IN PART OR AS A WHOLE WITHOUT THE WRITTEN PERMISSION OF BLACKHAWKLABS IS PROHIBITED.

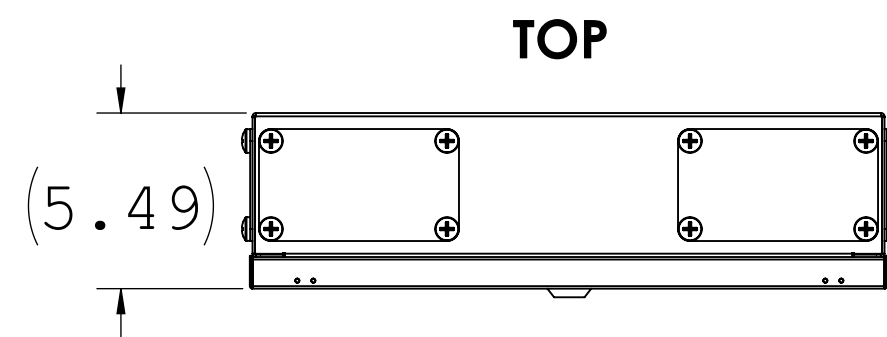
COMMENTS:

MRQ351S06  
Sheet 1/2

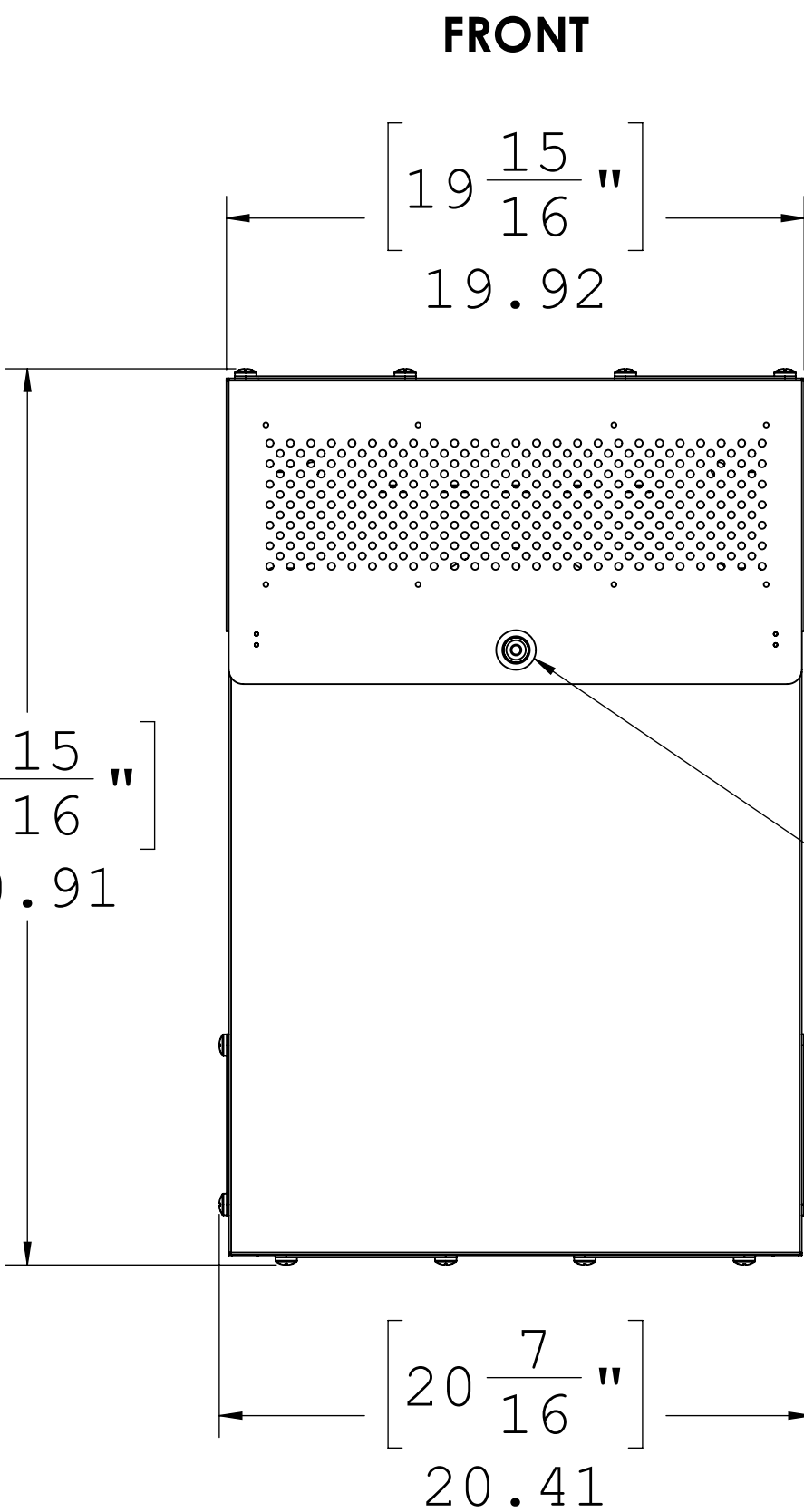
TITLE:

MiniRaQ Secure Compact

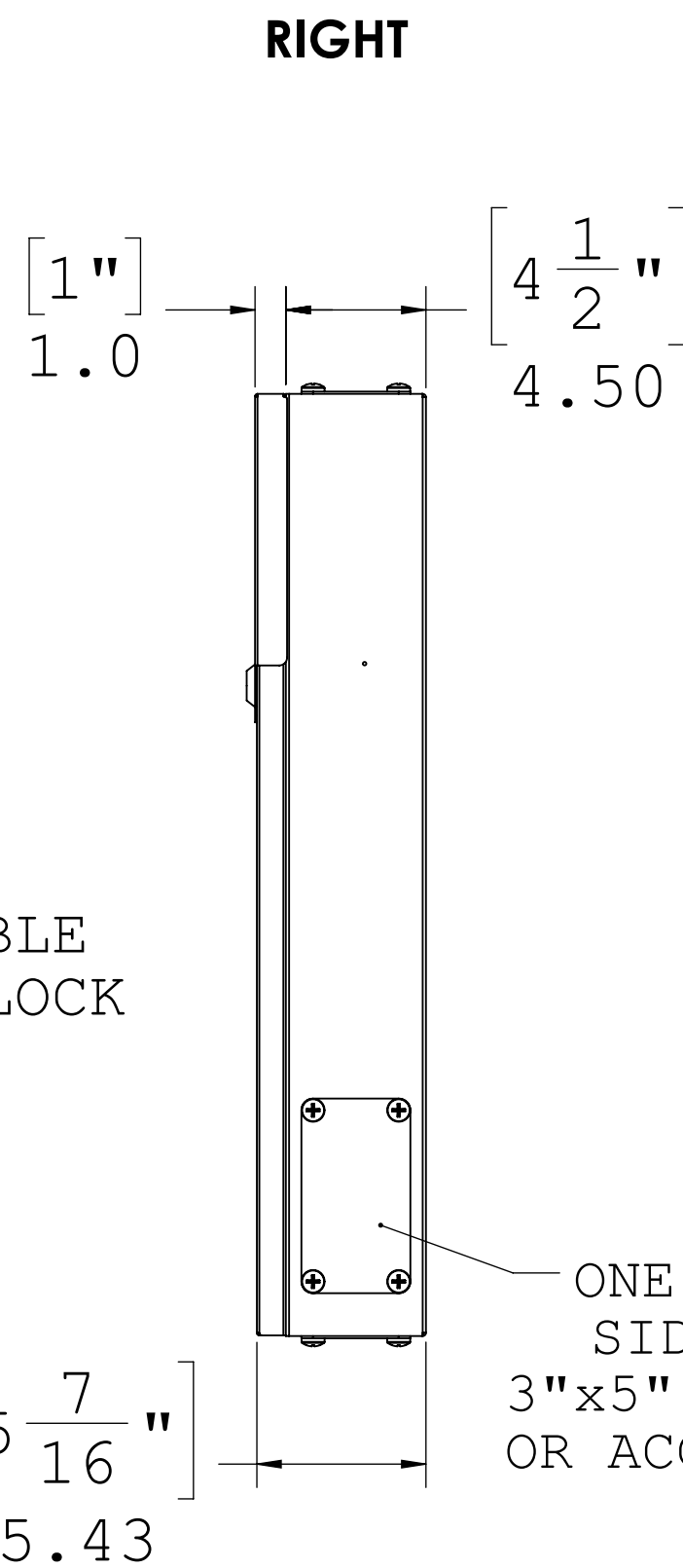
SIZE <b>C</b>	DWG. NO. <b>90-073</b>	DATE <b>3-6-11</b>	REV <b>4</b>
		DRAWN BY <b>TB</b>	
SCALE: 1:8		WEIGHT: 35 lbs	SHEET 1 OF 2



**TOP**

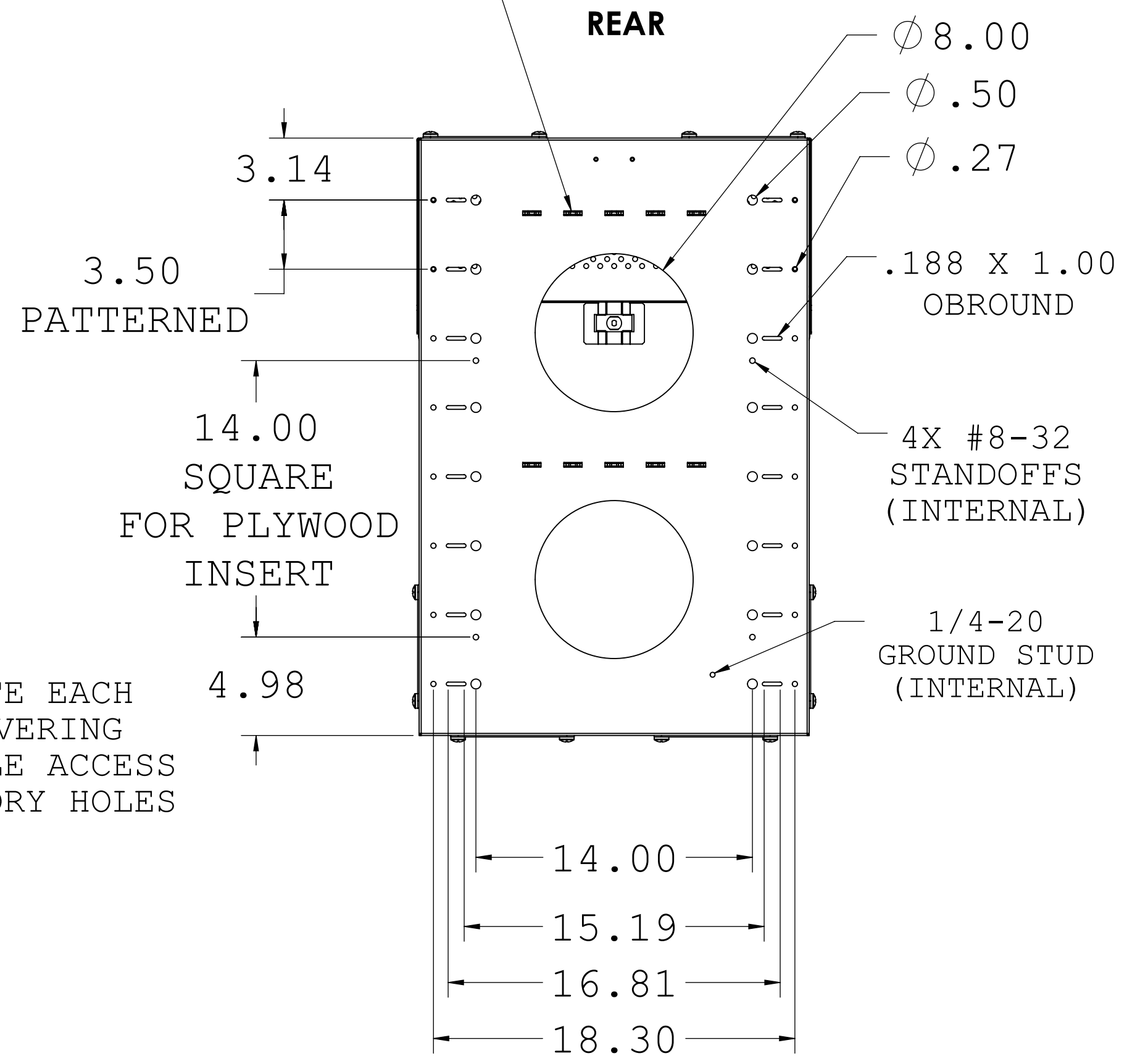


**FRONT**



**RIGHT**

10 RAISED BRIDGE LANCES FOR CABLE MANAGEMENT (INTERNAL)

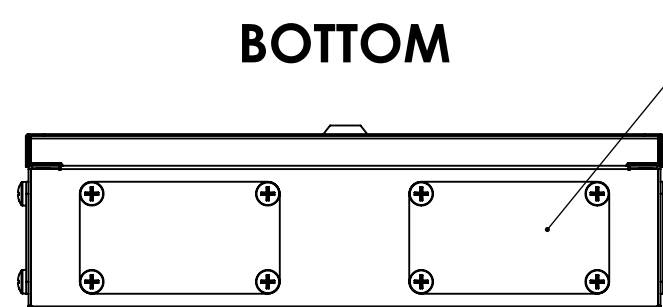


**REAR**

DOUBLE CAM LOCK

ONE PLATE EACH SIDE COVERING 3"x5" CABLE ACCESS OR ACCESSORY HOLES

TWO PLATES COVERING 3"x5" CABLE ACCESS OR ACCESSORY HOLES



**BOTTOM**

**NOTES:**  
 1. INSTALLATION MUST COMPLY WITH NATIONAL AND LOCAL ELECTRICAL REGULATIONS.  
 2. ALL DIMENSIONS ARE IN INCHES.



**PROPRIETARY AND CONFIDENTIAL**  
 THE INFORMATION CONTAINED IN THIS DRAWING IS THE SOLE PROPERTY OF BLACKHAWKLABS. ANY REPRODUCTION IN PART OR AS A WHOLE WITHOUT THE WRITTEN PERMISSION OF BLACKHAWKLABS IS PROHIBITED.

COMMENTS:			
MRQ351S06 Sheet 2/2			
TITLE: MiniRaQ Secure Compact			
SIZE <b>C</b>	DWG. NO. 90-073	DATE 3-6-11	REV <b>4</b>
SCALE: 1:6		WEIGHT: 50 lbs	SHEET 2 OF 2