

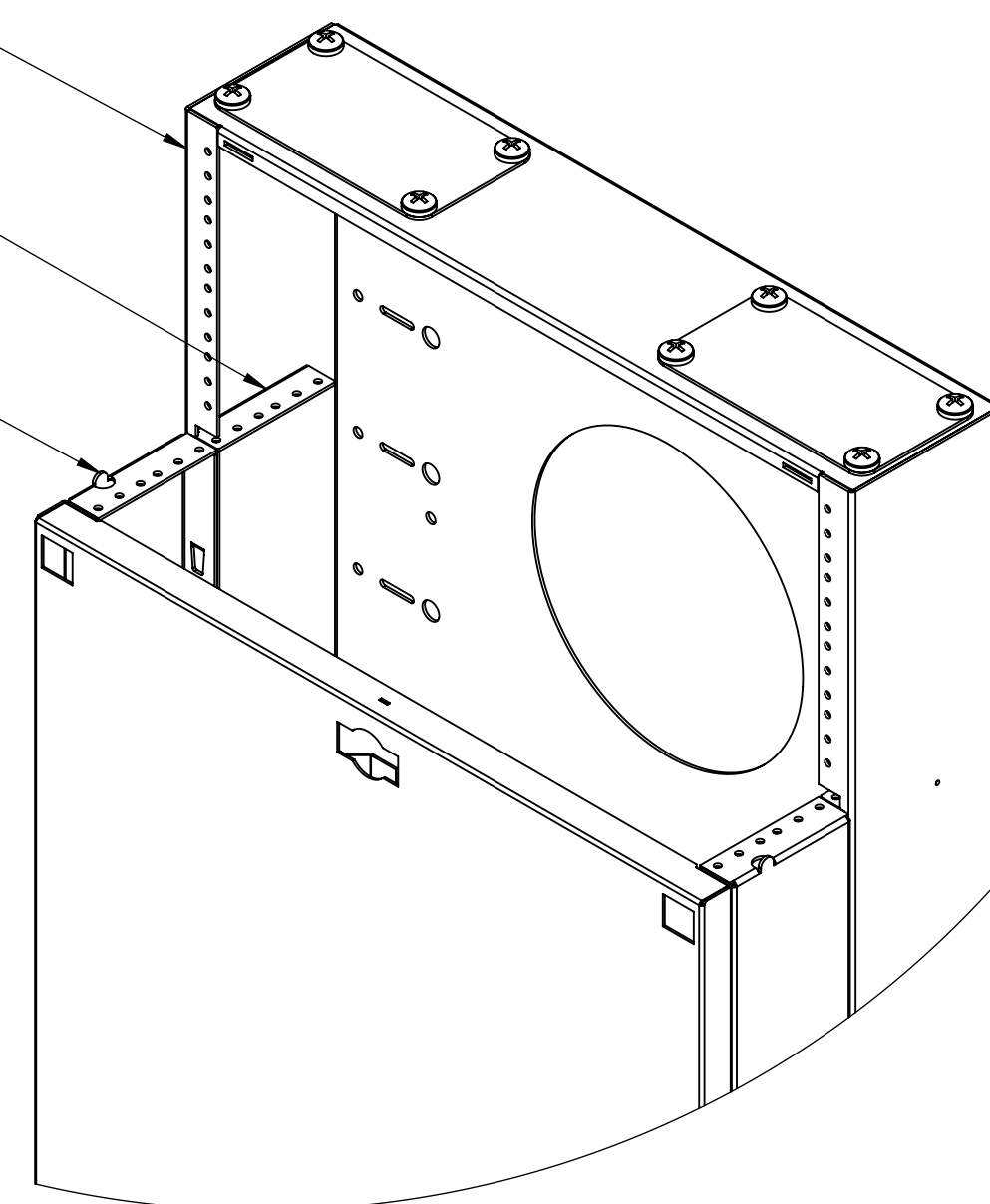
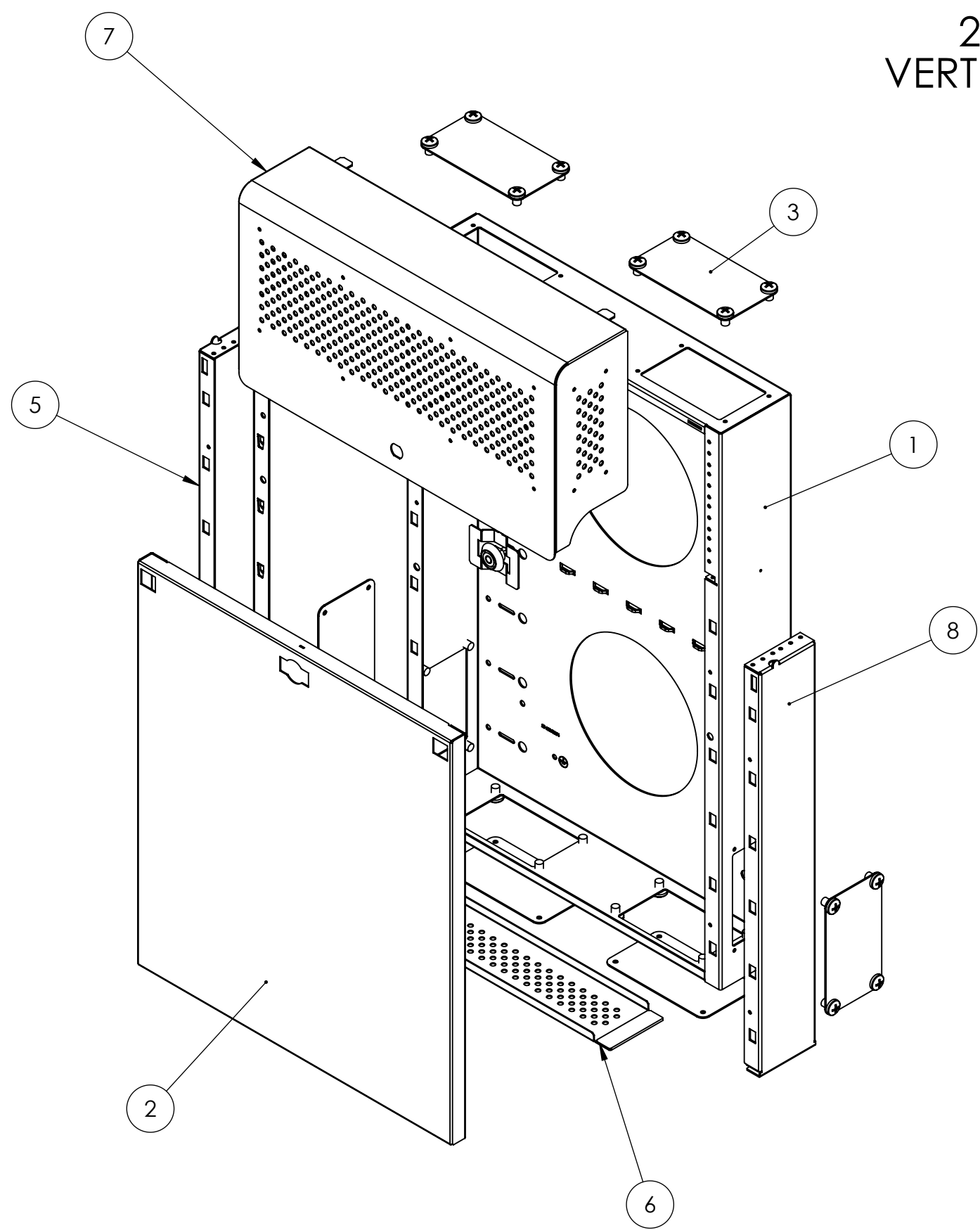
ITEM #	PART #	DESCRIPTION	QTY.
1	20-232-4	BACKPLATE COMPACT	1
2	20-233-4	FRONT PANEL COMPACT	1
3	20-238-4	RECTANGULAR PLATE	6
4	20-313_1	RIGHT SIDE PANEL COMPACT, MRQ351S08	1
5	20-314_1	LEFT SIDE PANEL COMPACT, MRQ351S08	1
6	20-322_1	VENT TRAY 12U MRQ3XX	1
7	20-323_1	COVER 8U MRQ3XX	1

REVISIONS			
REV.	DESCRIPTION	DATE	APPROVED
2	INITIAL PRODUCTION RELEASE	3/6/2011	TW
4	REVISION 4 PRODUCTION RELEASE	9/9/2019	TW

4U FOR EQUIPMENT MOUNTED VERTICALLY ON BACKPLATE

2U FOR EQUIPMENT MOUNTED VERTICALLY INSIDE OF BACKPLATE

2U FOR EQUIPMENT MOUNTED VERTICALLY ON SIDE PANELS



SCALE 1:4

NOTES:

1. INSTALLATION MUST COMPLY WITH NATIONAL AND LOCAL ELECTRICAL REGULATIONS.
2. ALL DIMENSIONS ARE IN INCHES.
3. NET WEIGHT OF BASIC UNIT IS 43 LBS.
4. CABLE ENTRY IS TOP, BOTTOM AND SIDES OF UNIT.
5. EQUIPMENT MOUNTING IS 12-24 TAPPED IN EIA PATTERN.
6. CAPACITY IS 400 LBS. WHEN MOUNTED AS RECOMMENDED.
7. CONSTRUCTION IS HEAVY GAUGE C.R. STEEL WITH BLACK POWDER COAT FINISH.

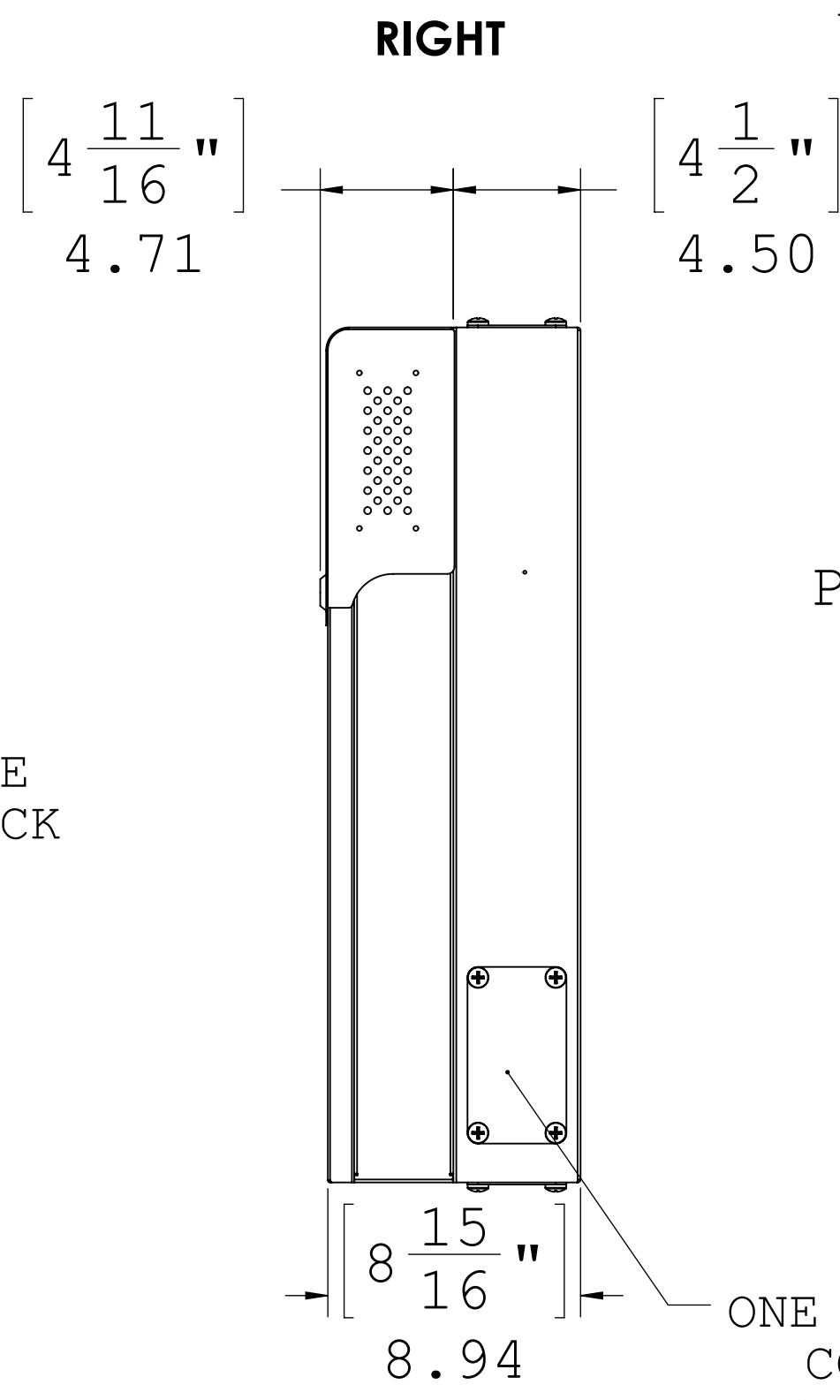
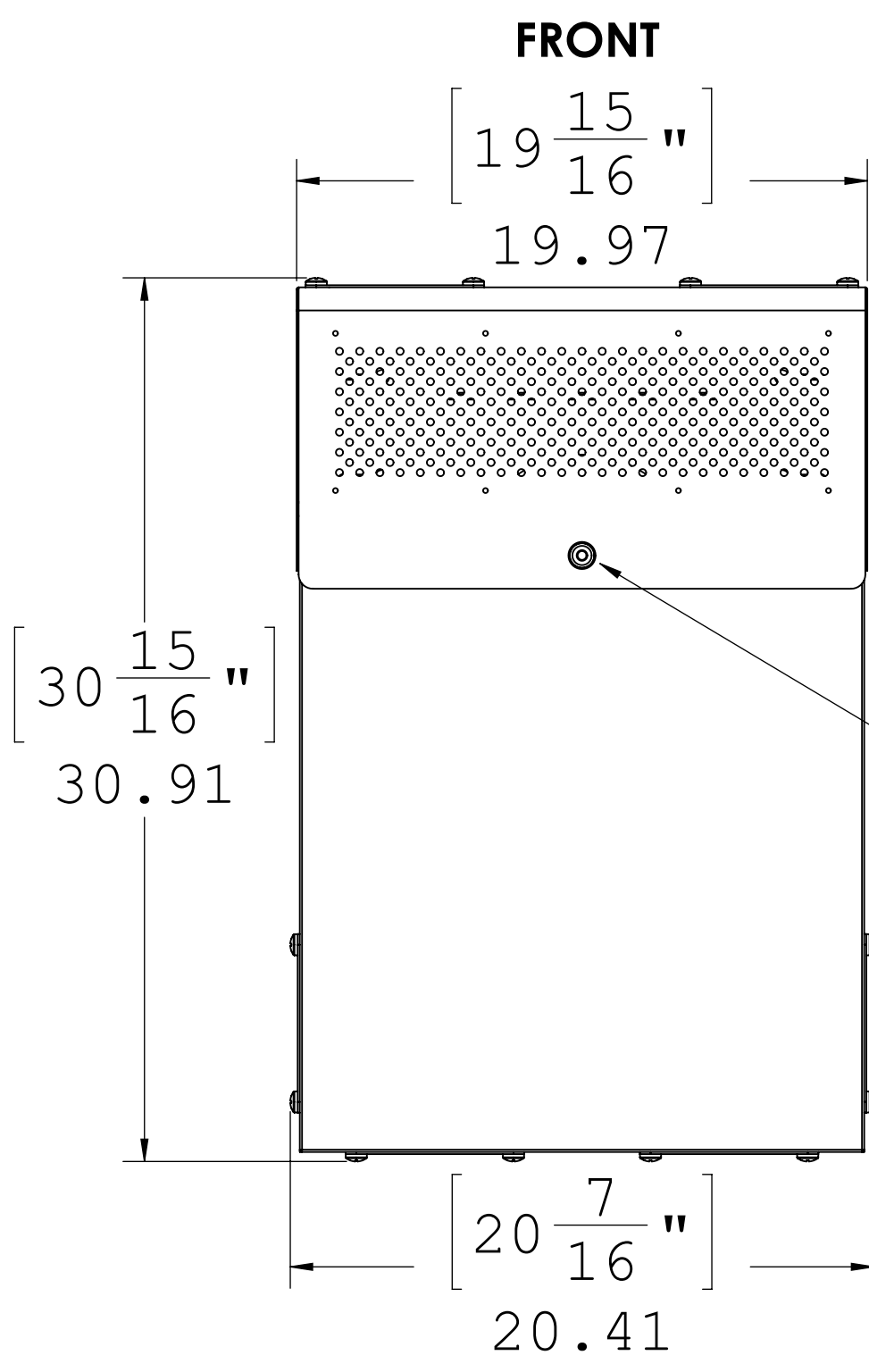
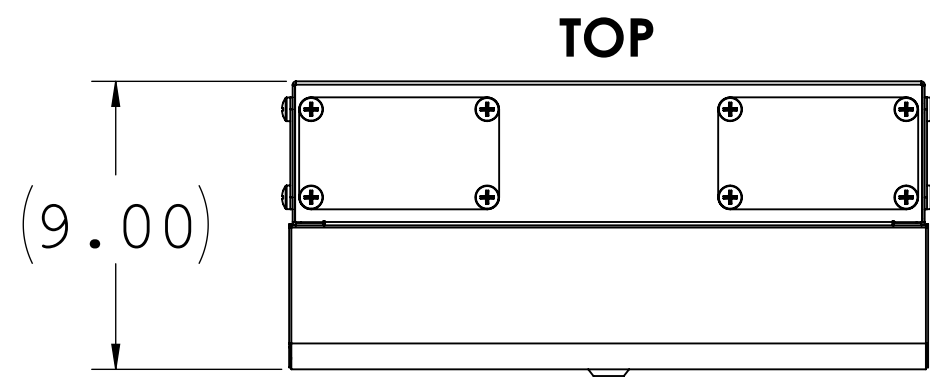


PROPRIETARY AND CONFIDENTIAL
 THE INFORMATION CONTAINED IN THIS DRAWING IS THE SOLE PROPERTY OF BLACKHAWKLABS. ANY REPRODUCTION IN PART OR AS A WHOLE WITHOUT THE WRITTEN PERMISSION OF BLACKHAWKLABS IS PROHIBITED.

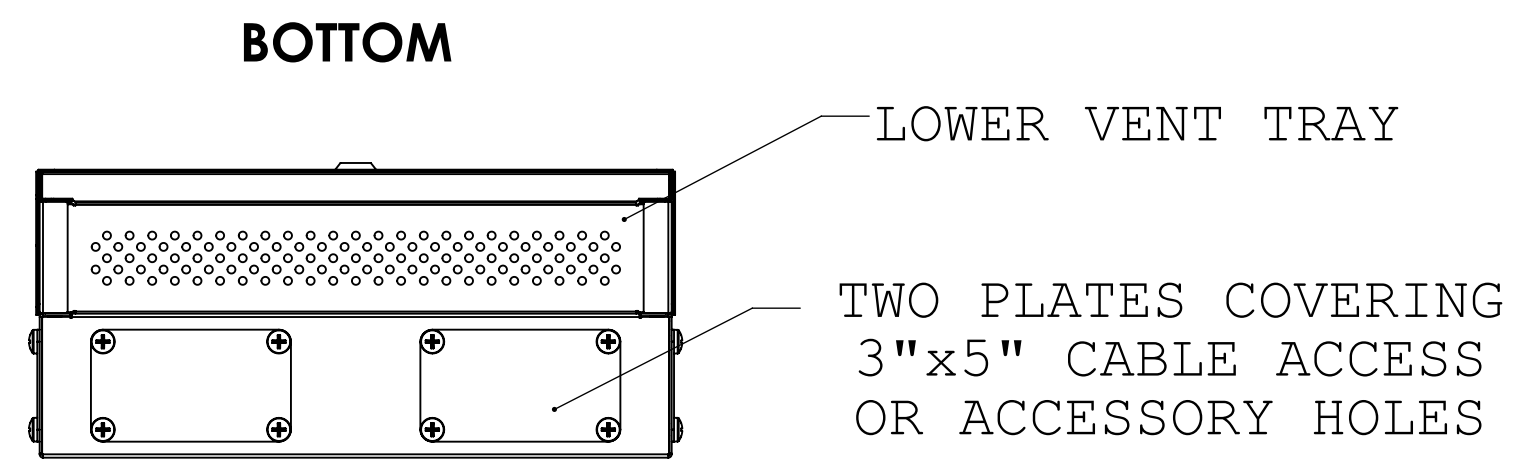
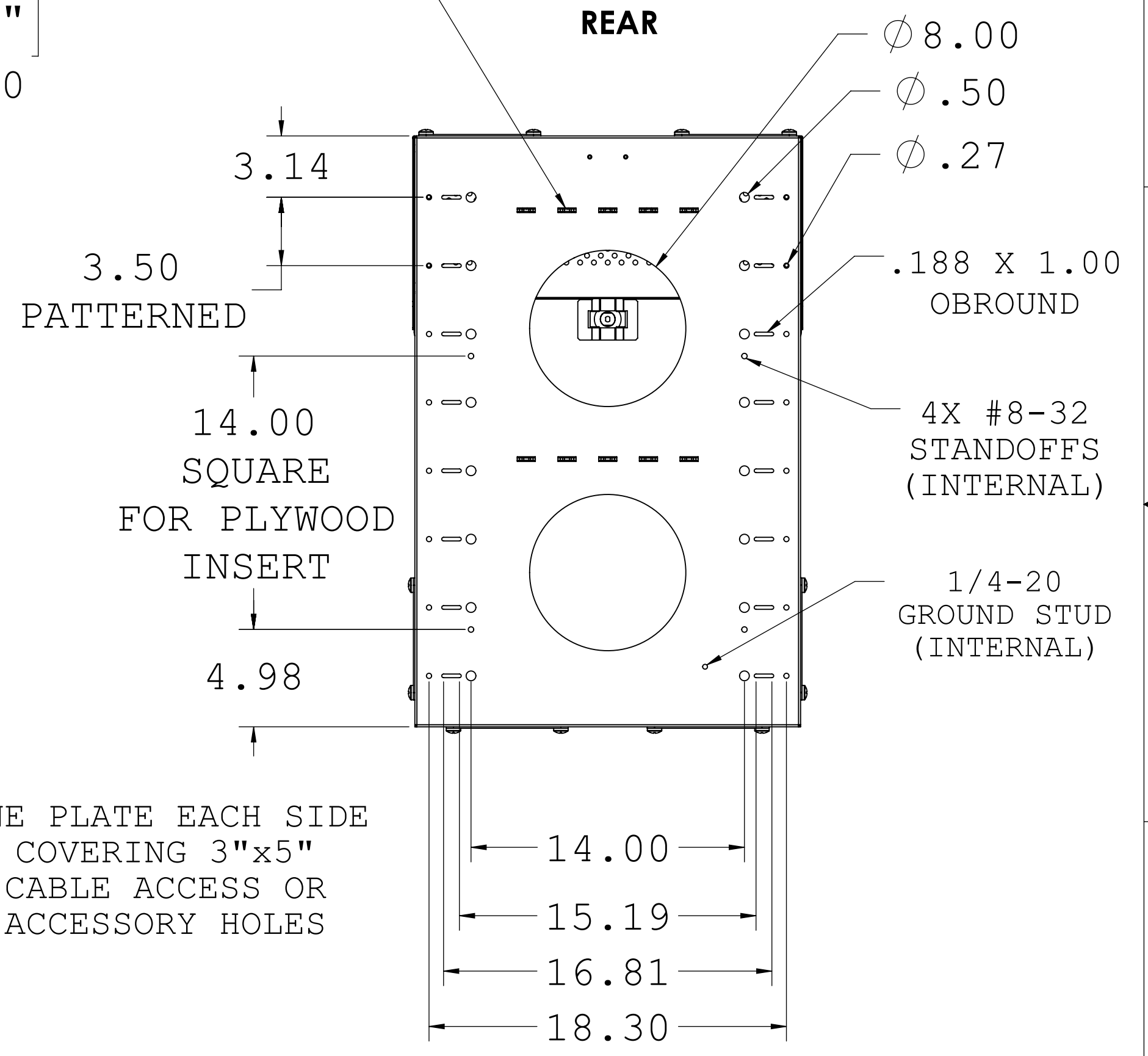
COMMENTS:
 MRQ351S08
 Sheet 1/2

TITLE:
 MiniRaQ Secure Compact

SIZE C	DWG. NO. 90-075	DATE 9/9/19	REV 4
		DRAWN BY TB	
SCALE: 1:8		WEIGHT: 43 lbs	SHEET 1 OF 2



10 RAISED BRIDGE LANCES FOR CABLE MANAGEMENT (INTERNAL)



ONE PLATE EACH SIDE COVERING 3"x5" CABLE ACCESS OR ACCESSORY HOLES



PROPRIETARY AND CONFIDENTIAL
THE INFORMATION CONTAINED IN THIS DRAWING IS THE SOLE PROPERTY OF BLACKHAWKLABS. ANY REPRODUCTION IN PART OR AS A WHOLE WITHOUT THE WRITTEN PERMISSION OF BLACKHAWKLABS IS PROHIBITED.

COMMENTS:			
MRQ351S08 Sheet 2/2			
TITLE: MiniRaQ Secure Compact			
SIZE C	DWG. NO. 90-075	DATE 9/9/19	REV 4
SCALE: 1:6		WEIGHT: 43 lbs	SHEET 2 OF 2

NOTES:
1. INSTALLATION MUST COMPLY WITH NATIONAL AND LOCAL ELECTRICAL REGULATIONS.
2. ALL DIMENSIONS ARE IN INCHES.