

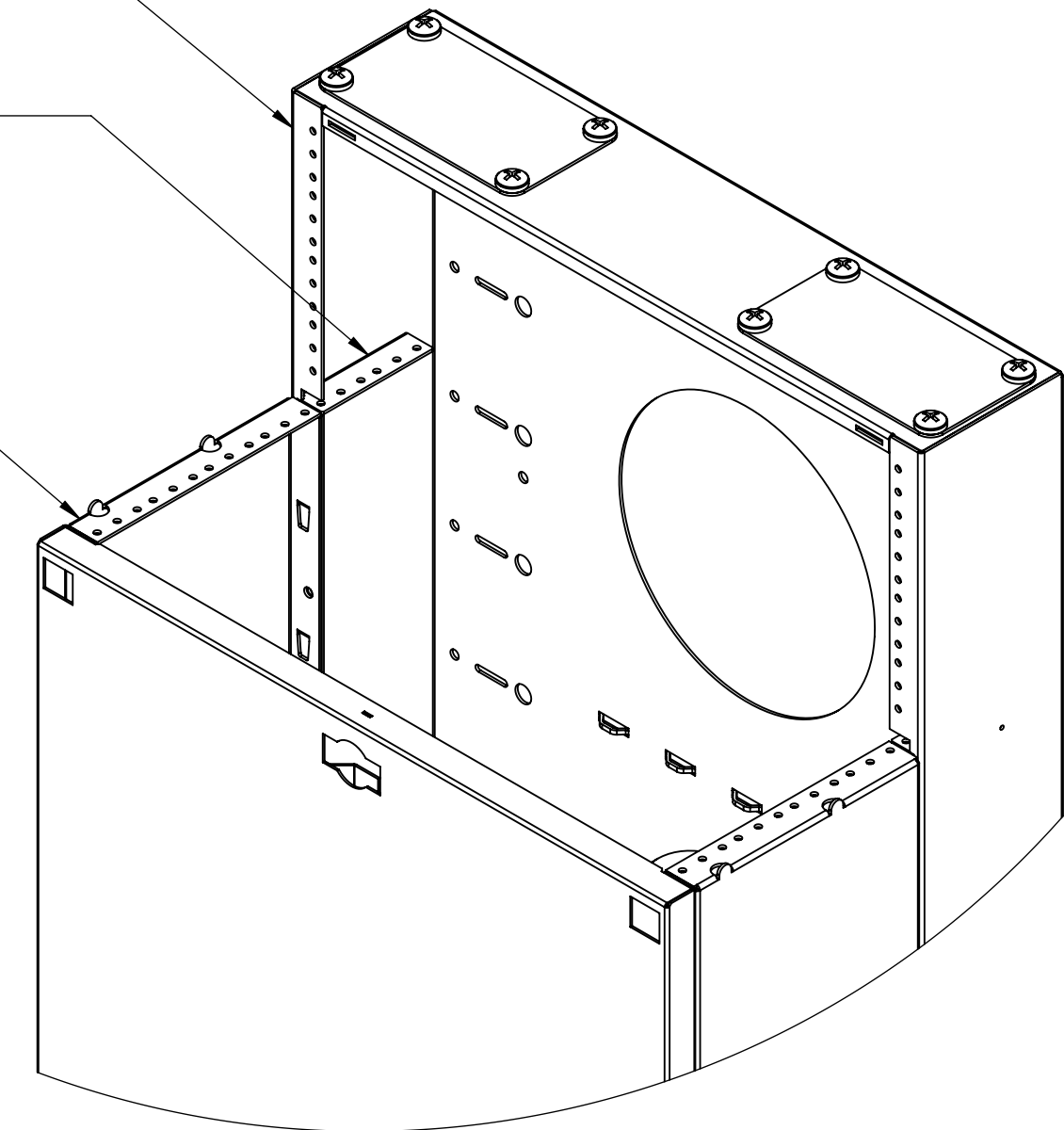
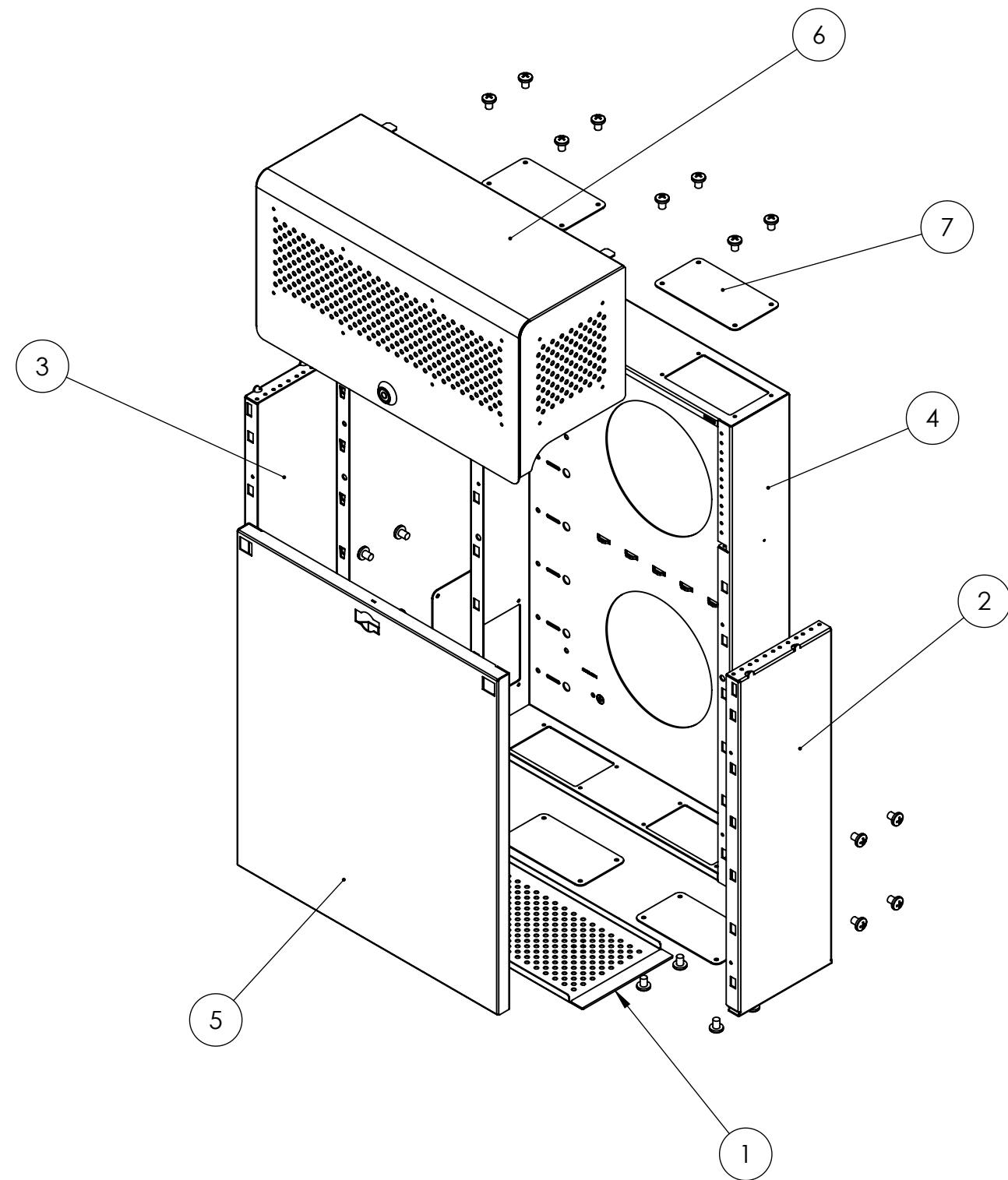
ITEM #	PART #	DESCRIPTION	QTY.
1	20-202-4	VENT TRAY 10U MRQ3XX	1
2	20-224-4	RIGHT SIDE PANEL COMPACT, MRQ351S10	1
3	20-225-4	LEFT SIDE PANEL COMPACT, MRQ351S10	1
4	20-232-4	BACKPLATE COMPACT	1
5	20-233-4	FRONT PANEL COMPACT	1
6	20-234-4	COVER 10U MRQ3XX	1
7	20-238-4	RECTANGULAR PLATE	6

REVISIONS			
REV.	DESCRIPTION	DATE	APPROVED
2	INITIAL PRODUCTION RELEASE	3/6/2011	TW
4	REVISION 4 PRODUCTION RELEASE	5/26/2014	TW

4U FOR EQUIPMENT MOUNTED
VERTICALLY ON BACKPLATE

2U FOR EQUIPMENT MOUNTED
VERTICALLY INSIDE OF BACKPLATE

4U FOR EQUIPMENT MOUNTED
VERTICALLY ON SIDE PANELS



SCALE 1:4

NOTES:

1. INSTALLATION MUST COMPLY WITH NATIONAL AND LOCAL ELECTRICAL REGULATIONS.
2. ALL DIMENSIONS ARE IN INCHES.
3. NET WEIGHT OF BASIC UNIT IS 50 LBS.
4. CABLE ENTRY IS TOP, BOTTOM AND SIDES OF UNIT.
5. EQUIPMENT MOUNTING IS 12-24 TAPPED IN EIA PATTERN.
6. CAPACITY IS 400 LBS. WHEN MOUNTED AS RECOMMENDED.
7. CONSTRUCTION IS HEAVY GAUGE C.R. STEEL WITH BLACK POWDER COAT FINISH.



PROPRIETARY AND CONFIDENTIAL
THE INFORMATION CONTAINED IN THIS DRAWING IS THE SOLE PROPERTY OF BLACKHAWKLABS. ANY REPRODUCTION IN PART OR AS A WHOLE WITHOUT THE WRITTEN PERMISSION OF BLACKHAWKLABS IS PROHIBITED.

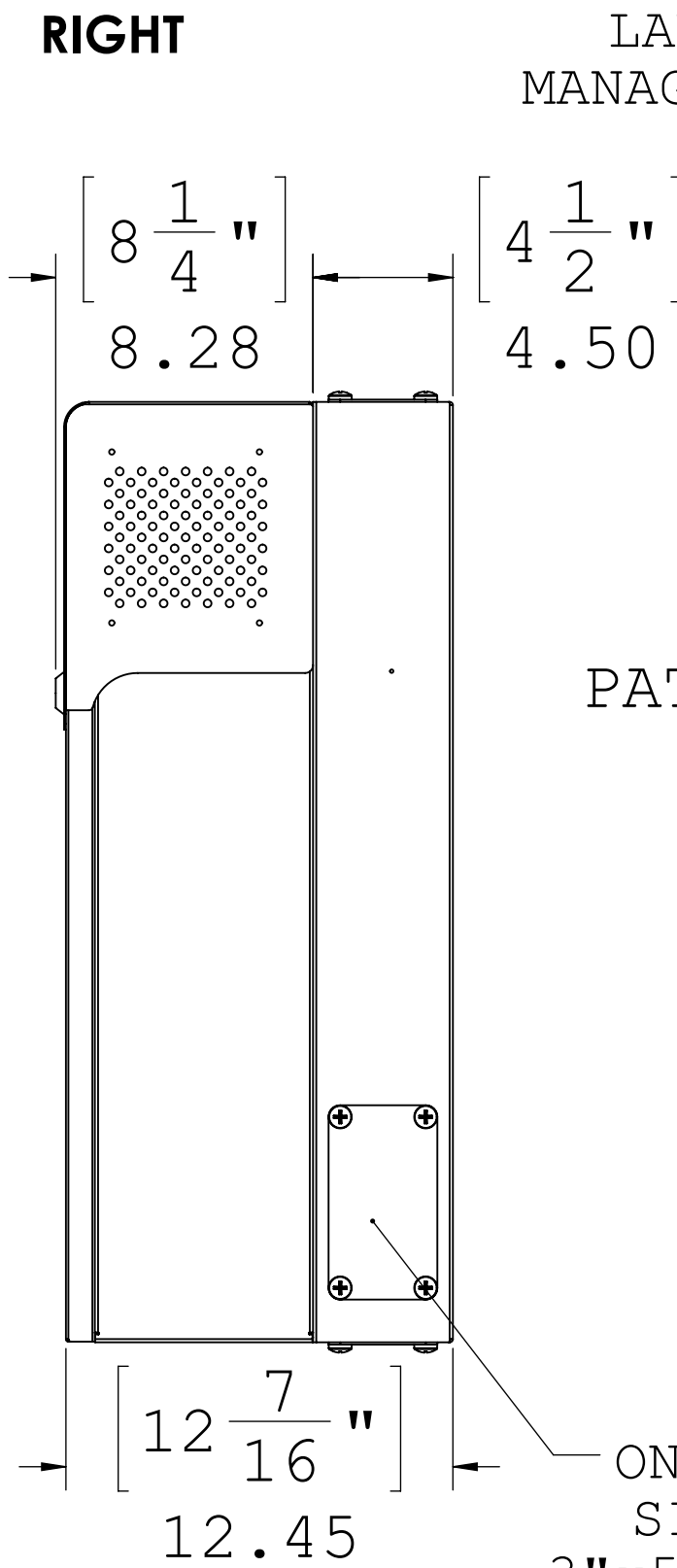
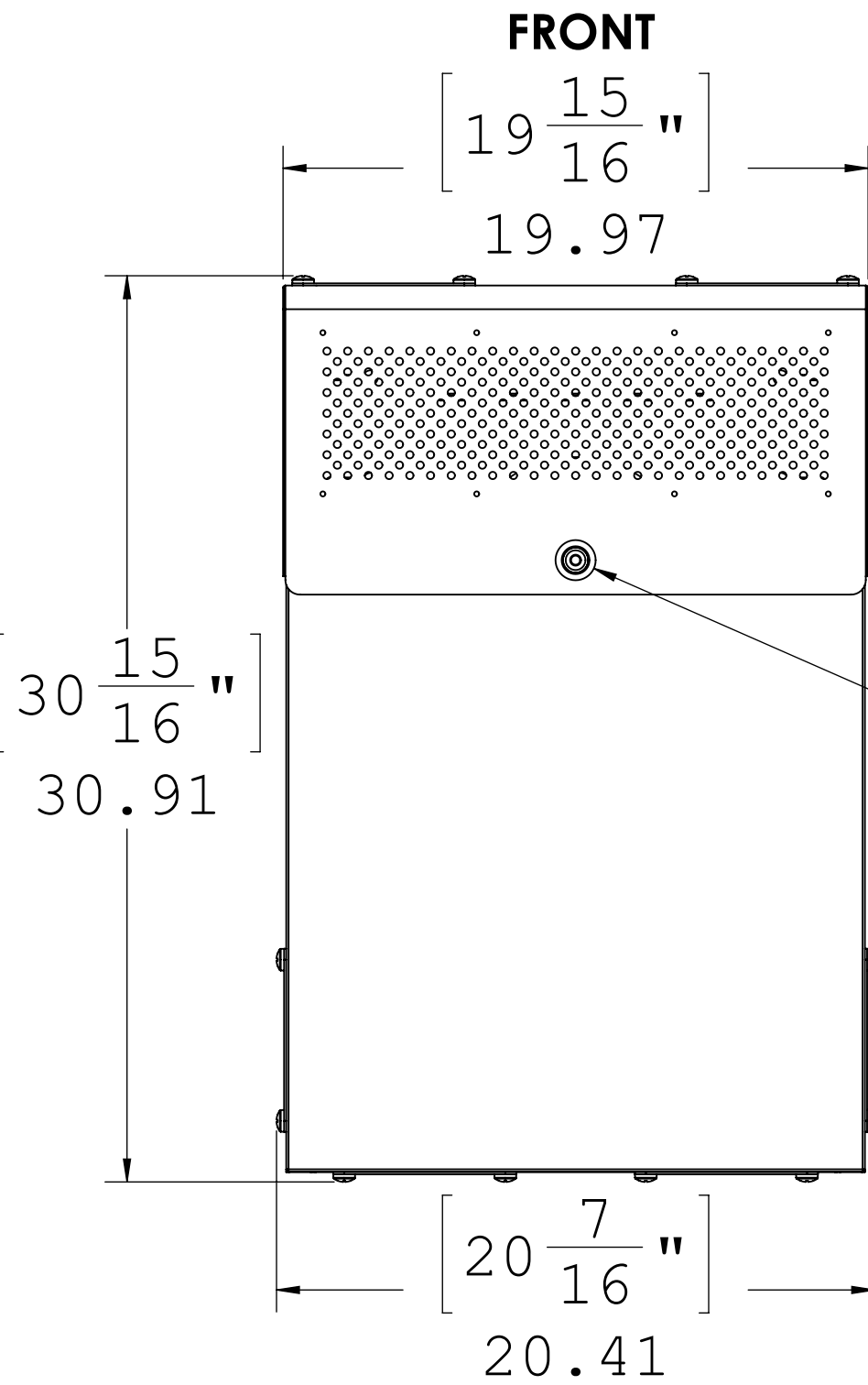
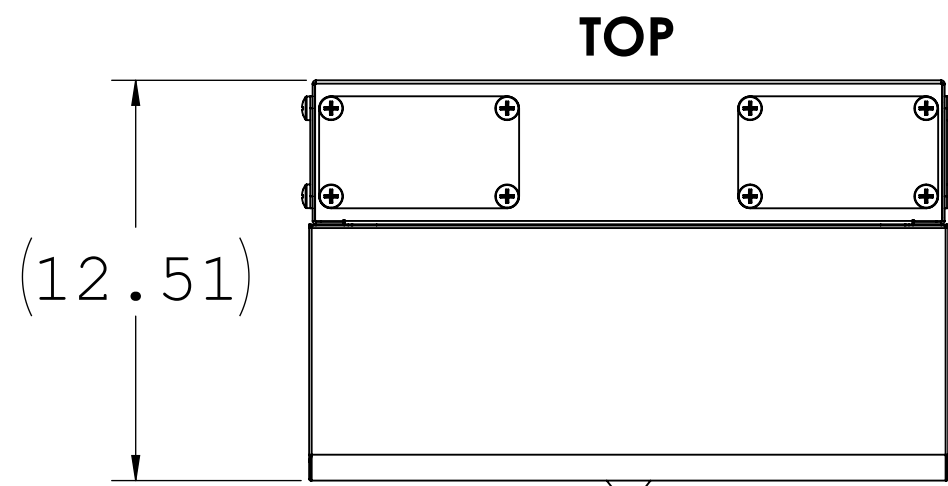
COMMENTS:

MRQ351S10
Sheet 1/2

TITLE:

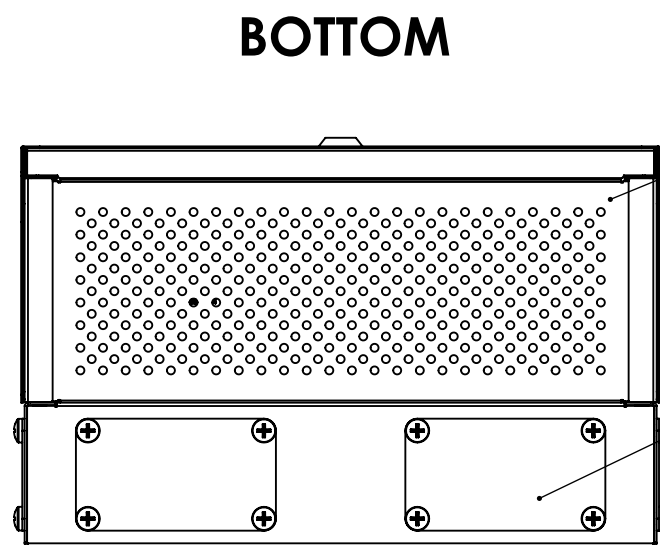
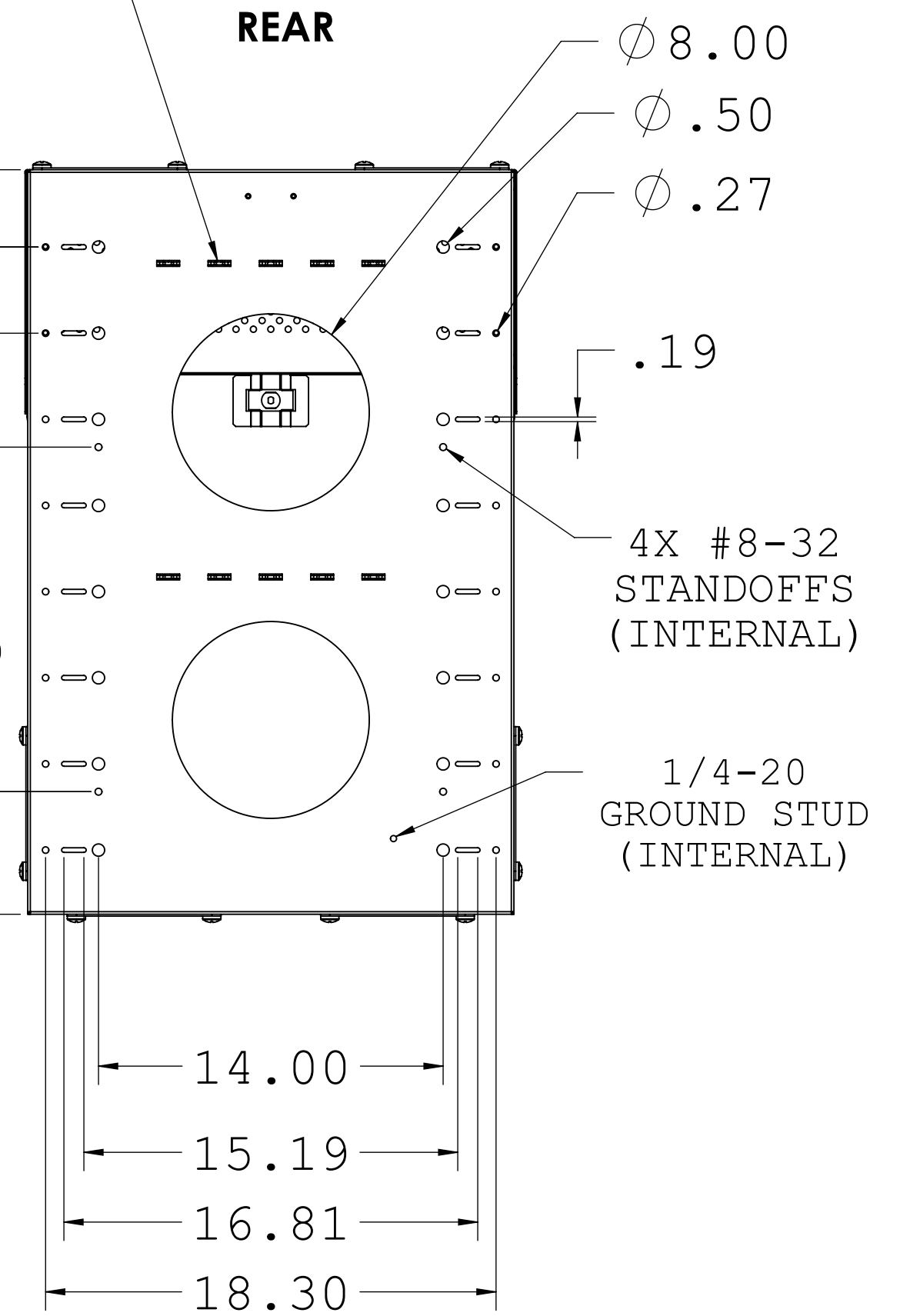
MiniRaQ Secure Compact

SIZE C	DWG. NO. 90-069	DATE 3-6-11	REV 4
		DRAWN BY TB	
SCALE: 1:8		WEIGHT: 50 lbs	SHEET 1 OF 2



10 RAISED BRIDGE LANCES FOR CABLE MANAGEMENT (INTERNAL)

3.14
3.50
PATTERNED
14.00
SQUARE
FOR PLYWOOD
INSERT
4.98



DOUBLE CAM LOCK

ONE PLATE EACH SIDE COVERING 3"x5" CABLE ACCESS OR ACCESSORY HOLES

LOWER VENT TRAY

TWO PLATES COVERING 3"x5" CABLE ACCESS OR ACCESSORY HOLES

NOTES:
1. INSTALLATION MUST COMPLY WITH NATIONAL AND LOCAL ELECTRICAL REGULATIONS.
2. ALL DIMENSIONS ARE IN INCHES.



PROPRIETARY AND CONFIDENTIAL
THE INFORMATION CONTAINED IN THIS DRAWING IS THE SOLE PROPERTY OF BLACKHAWKLABS. ANY REPRODUCTION IN PART OR AS A WHOLE WITHOUT THE WRITTEN PERMISSION OF BLACKHAWKLABS IS PROHIBITED.

COMMENTS:			
MRQ351S10 Sheet 2/2			
TITLE: MiniRaQ Secure Compact			
SIZE C	DWG. NO. 90-069	DATE 3-6-11	REV 4
SCALE: 1:6		WEIGHT: 50 lbs	SHEET 2 OF 2