

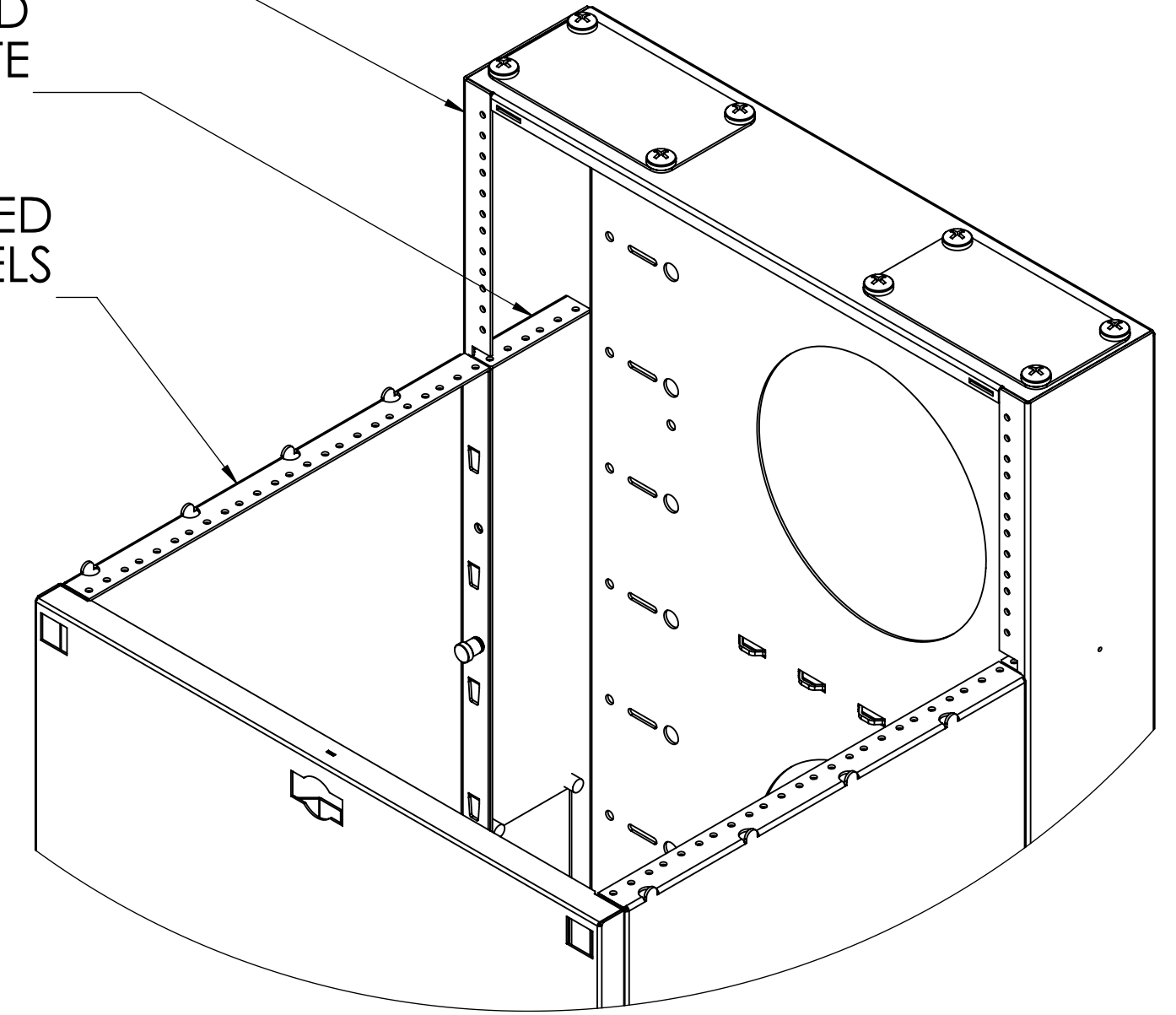
ITEM #	PART #	DESCRIPTION	QTY.
1	20-204-4	VENT TRAY 14U MRQ3XX	1
2	20-228-4	RIGHT SIDE PANEL COMPACT, MRQ351S14	1
3	20-229-4	LEFT SIDE PANEL COMPACT, MRQ351S14	1
4	20-232-4	BACKPLATE COMPACT	1
5	20-233-4	FRONT PANEL COMPACT	1
6	20-236-4	COVER 14U MRQ3XX	1
7	20-238-4	RECTANGULAR PLATE	6

REVISIONS			
REV.	DESCRIPTION	DATE	APPROVED
2	INITIAL PRODUCTION RELEASE	3/6/2011	TW
4	REVISION 4 PRODUCTION RELEASE	5/26/2014	TW

4U FOR EQUIPMENT MOUNTED
VERTICALLY ON BACKPLATE

2U FOR EQUIPMENT MOUNTED
VERTICALLY INSIDE OF BACKPLATE

8U FOR EQUIPMENT MOUNTED
VERTICALLY ON SIDE PANELS



SCALE 1:4

NOTES:

1. INSTALLATION MUST COMPLY WITH NATIONAL AND LOCAL ELECTRICAL REGULATIONS.
2. ALL DIMENSIONS ARE IN INCHES.
3. NET WEIGHT OF BASIC UNIT IS 62 LBS.
4. CABLE ENTRY IS TOP, BOTTOM AND SIDES OF UNIT.
5. EQUIPMENT MOUNTING IS 12-24 TAPPED IN EIA PATTERN.
6. CAPACITY IS 400 LBS. WHEN MOUNTED AS RECOMMENDED.
7. CONSTRUCTION IS HEAVY GAUGE C.R. STEEL WITH BLACK POWDER COAT FINISH.



PROPRIETARY AND CONFIDENTIAL
THE INFORMATION CONTAINED IN THIS DRAWING IS THE SOLE PROPERTY OF BLACKHAWKLABS. ANY REPRODUCTION IN PART OR AS A WHOLE WITHOUT THE WRITTEN PERMISSION OF BLACKHAWKLABS IS PROHIBITED.

COMMENTS:

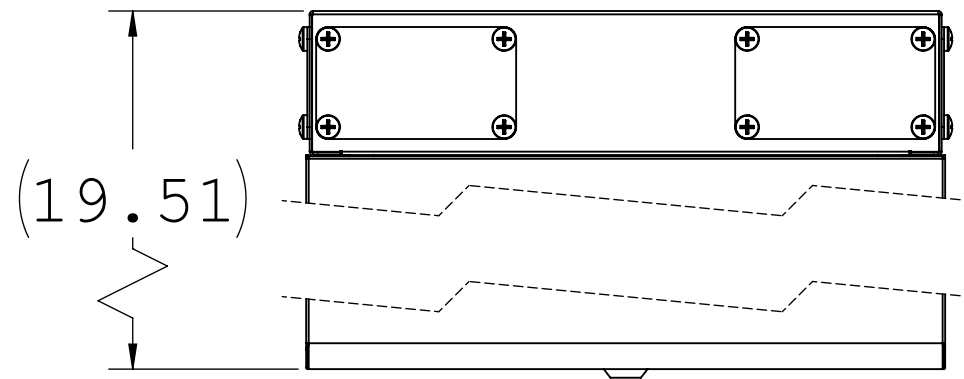
MRQ351S14
Sheet 1/2

TITLE:

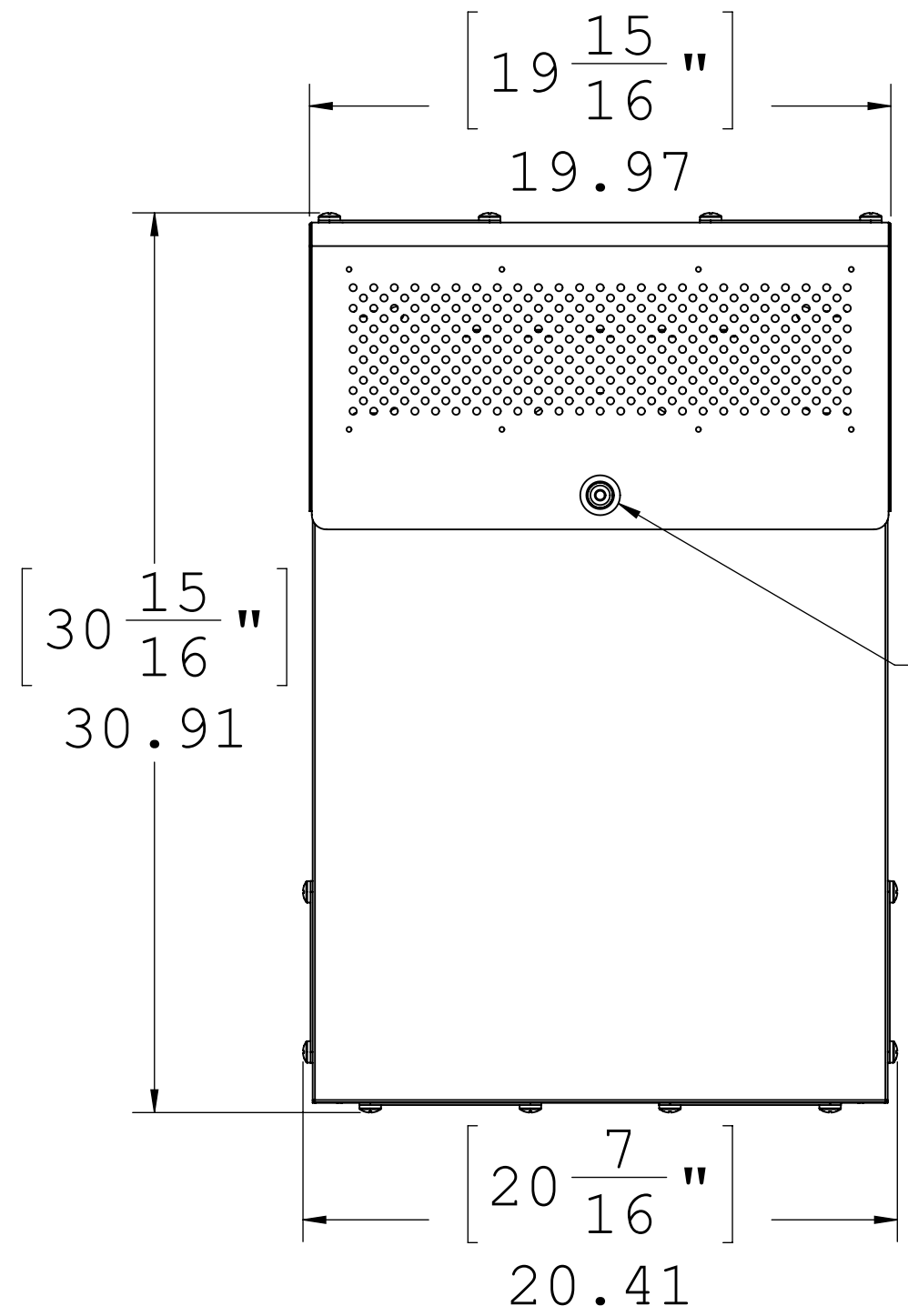
MiniRaQ Secure Compact

SIZE C	DWG. NO. 90-071	DATE 3-6-11	REV 4
	SCALE: 1:8	WEIGHT: 62 lbs	SHEET 1 OF 2

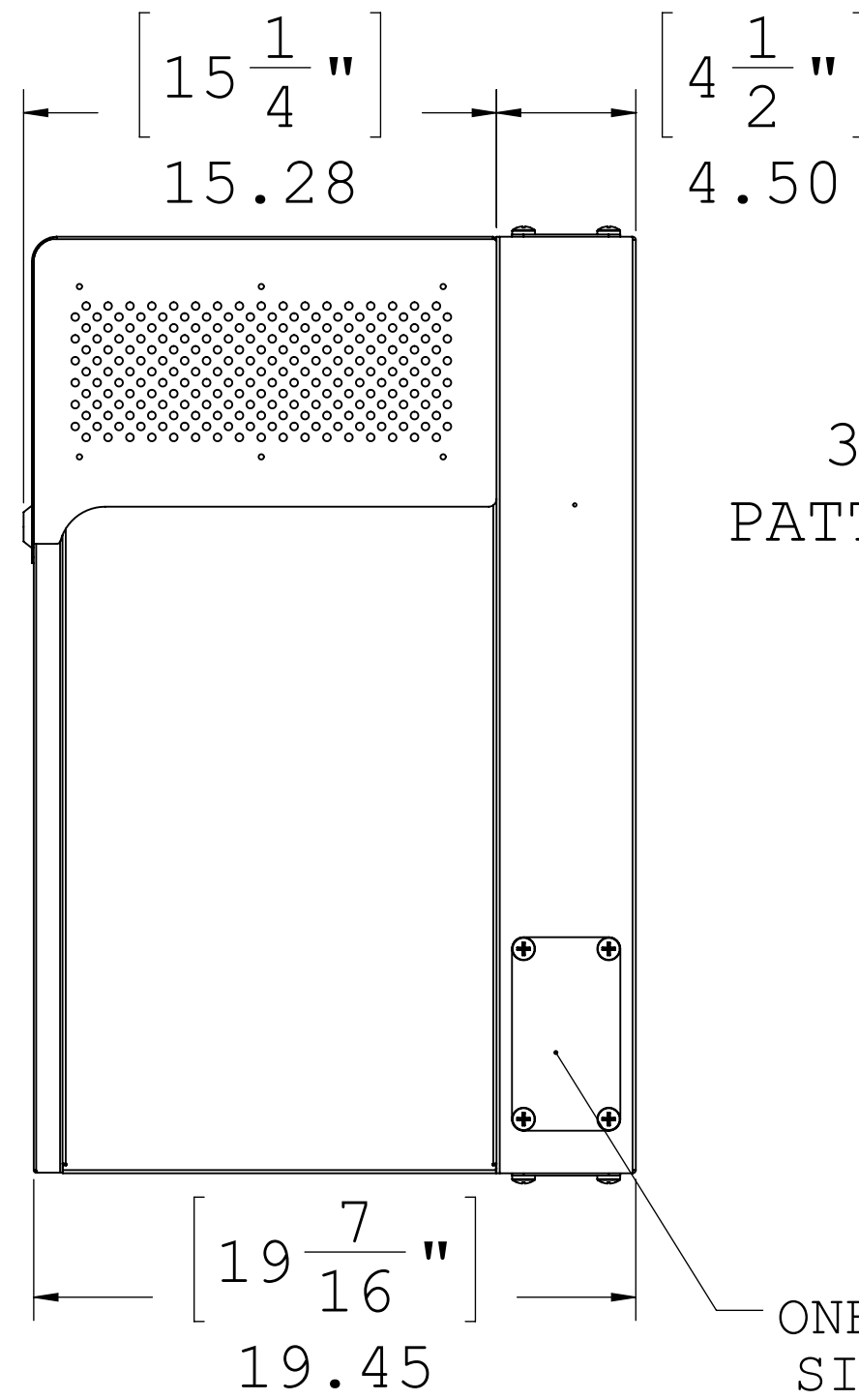
TOP



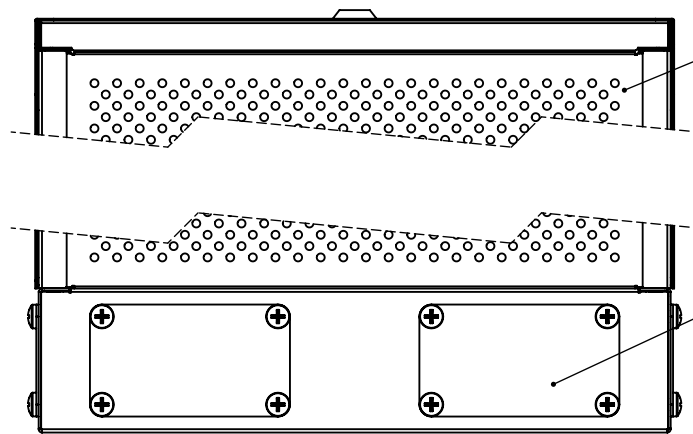
FRONT



RIGHT

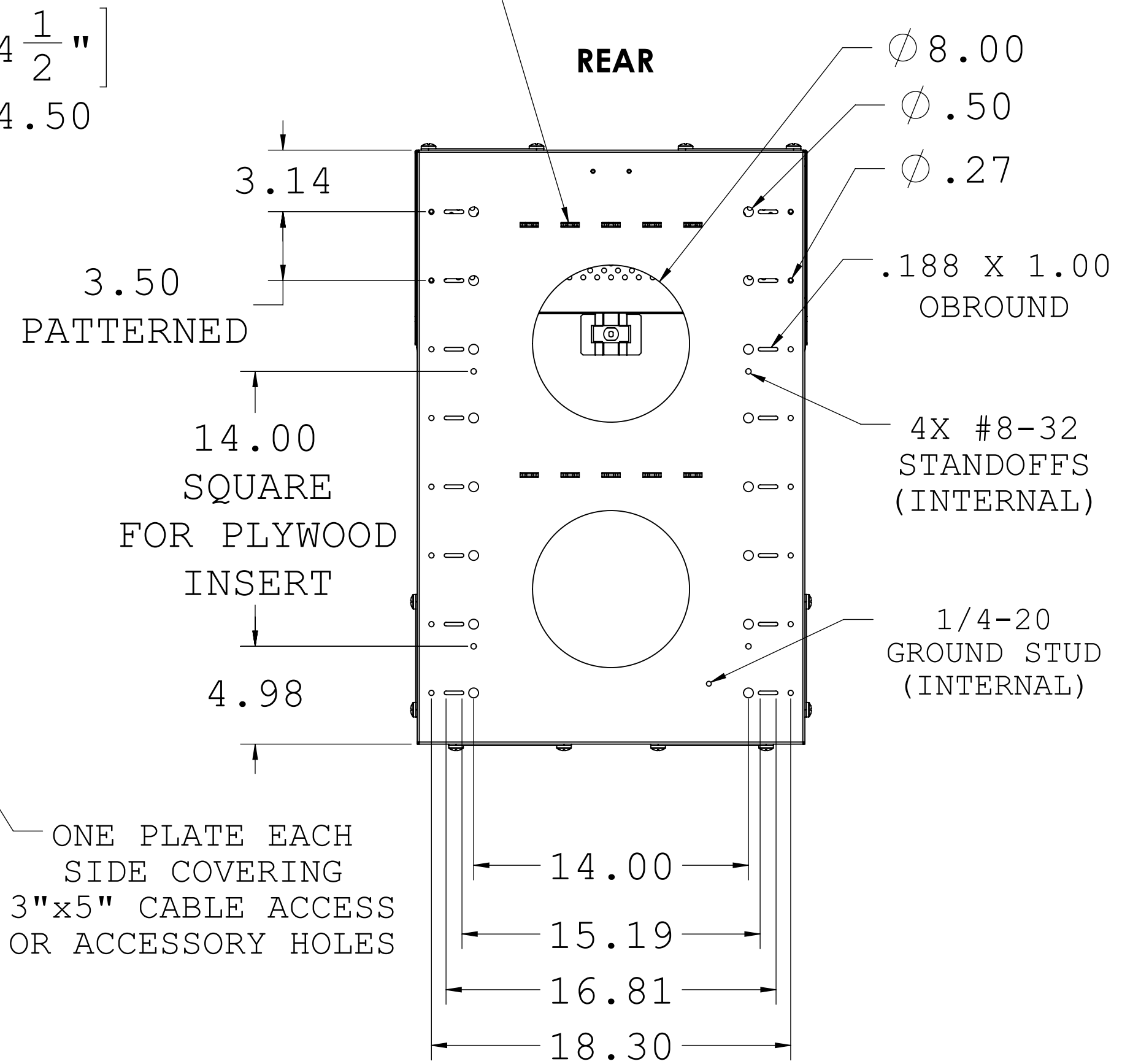


BOTTOM



10 RAISED BRIDGE LANCES FOR CABLE MANAGEMENT (INTERNAL)

REAR



DOUBLE CAM LOCK

LOWER VENT TRAY

TWO PLATES COVERING 3"x5" CABLE ACCESS OR ACCESSORY HOLES

ONE PLATE EACH SIDE COVERING 3"x5" CABLE ACCESS OR ACCESSORY HOLES

- NOTES:**
1. INSTALLATION MUST COMPLY WITH NATIONAL AND LOCAL ELECTRICAL REGULATIONS.
 2. ALL DIMENSIONS ARE IN INCHES.



PROPRIETARY AND CONFIDENTIAL
THE INFORMATION CONTAINED IN THIS DRAWING IS THE SOLE PROPERTY OF BLACKHAWKLABS. ANY REPRODUCTION IN PART OR AS A WHOLE WITHOUT THE WRITTEN PERMISSION OF BLACKHAWKLABS IS PROHIBITED.

COMMENTS:			
MRQ351S14 Sheet 2/2			
TITLE: MiniRaQ Secure Compact			
SIZE C	DWG. NO. 90-071	DATE 3-6-11	REV 4
SCALE: 1:6		WEIGHT: 62 lbs	SHEET 2 OF 2