

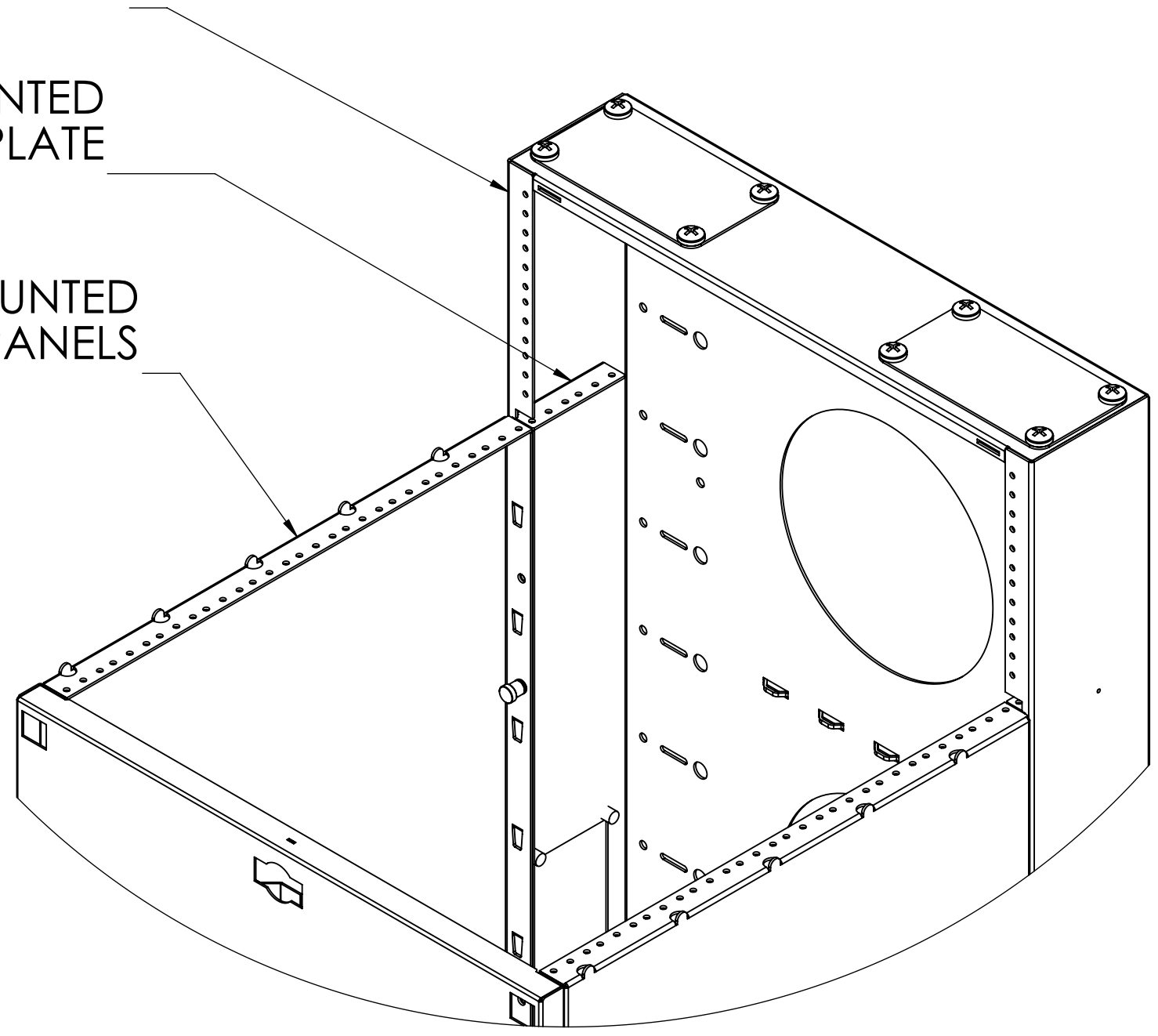
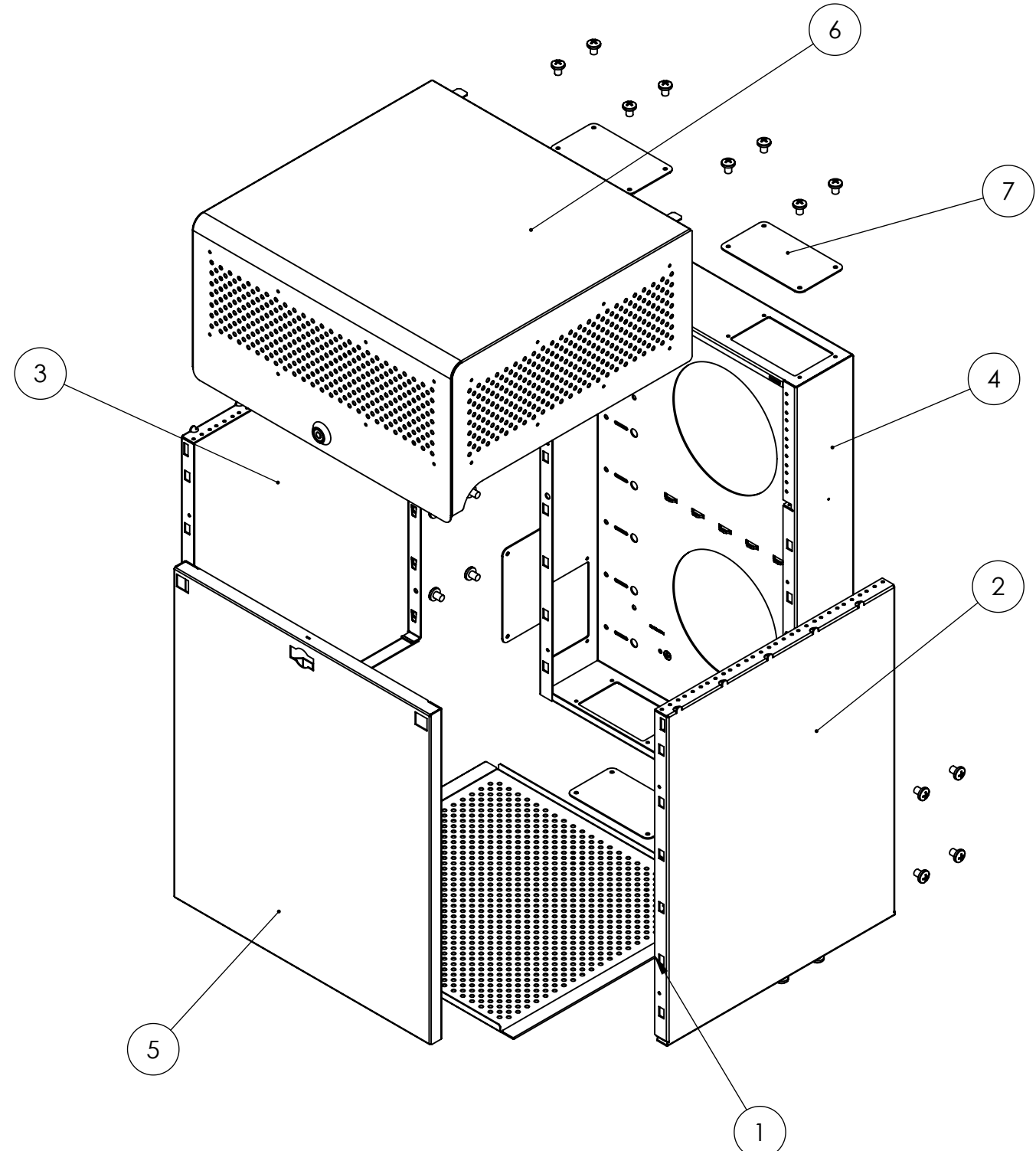
ITEM #	PART #	DESCRIPTION	QTY.
1	20-205-4	VENT TRAY 16U MRQ3XX	1
2	20-230-4	RIGHT SIDE PANEL COMPACT, MRQ351S16	1
3	20-231-4	LEFT SIDE PANEL COMPACT, MRQ351S16	1
4	20-232-4	BACKPLATE COMPACT	1
5	20-233-4	FRONT PANEL COMPACT	1
6	20-237-4	COVER 16U MRQ3XX	1
7	20-238-4	RECTANGULAR PLATE	6

REVISIONS			
REV.	DESCRIPTION	DATE	APPROVED
2	INITIAL PRODUCTION RELEASE	3/6/2011	TW
4	REVISION 4 PRODUCTION RELEASE	5/26/2014	TW

4U FOR EQUIPMENT MOUNTED  
VERTICALLY ON BACKPLATE

2U FOR EQUIPMENT MOUNTED  
VERTICALLY INSIDE OF BACKPLATE

10U FOR EQUIPMENT MOUNTED  
VERTICALLY ON SIDE PANELS



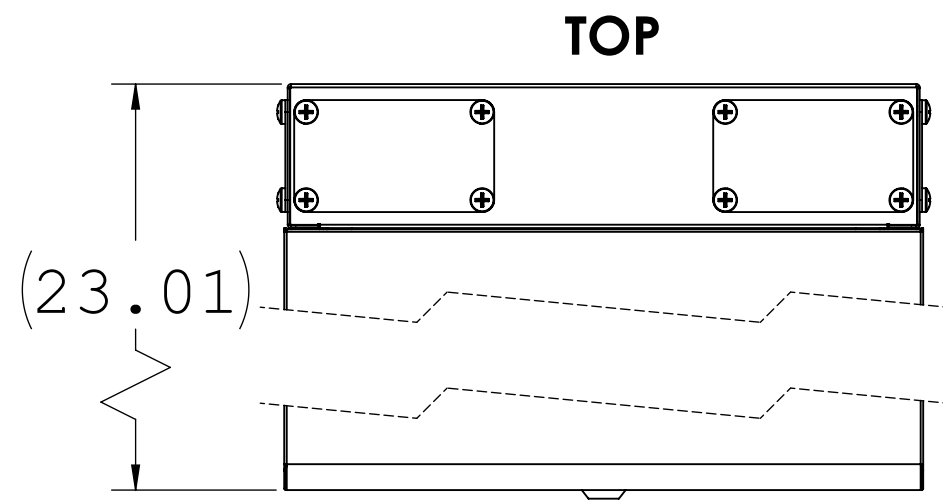
SCALE 1:4

- NOTES:**
1. INSTALLATION MUST COMPLY WITH NATIONAL AND LOCAL ELECTRICAL REGULATIONS.
  2. ALL DIMENSIONS ARE IN INCHES.
  3. NET WEIGHT OF BASIC UNIT IS 69 LBS.
  4. CABLE ENTRY IS TOP, BOTTOM AND SIDES OF UNIT.
  5. EQUIPMENT MOUNTING IS 12-24 TAPPED IN EIA PATTERN.
  6. CAPACITY IS 400 LBS. WHEN MOUNTED AS RECOMMENDED.
  7. CONSTRUCTION IS HEAVY GAUGE C.R. STEEL WITH BLACK POWDER COAT FINISH.

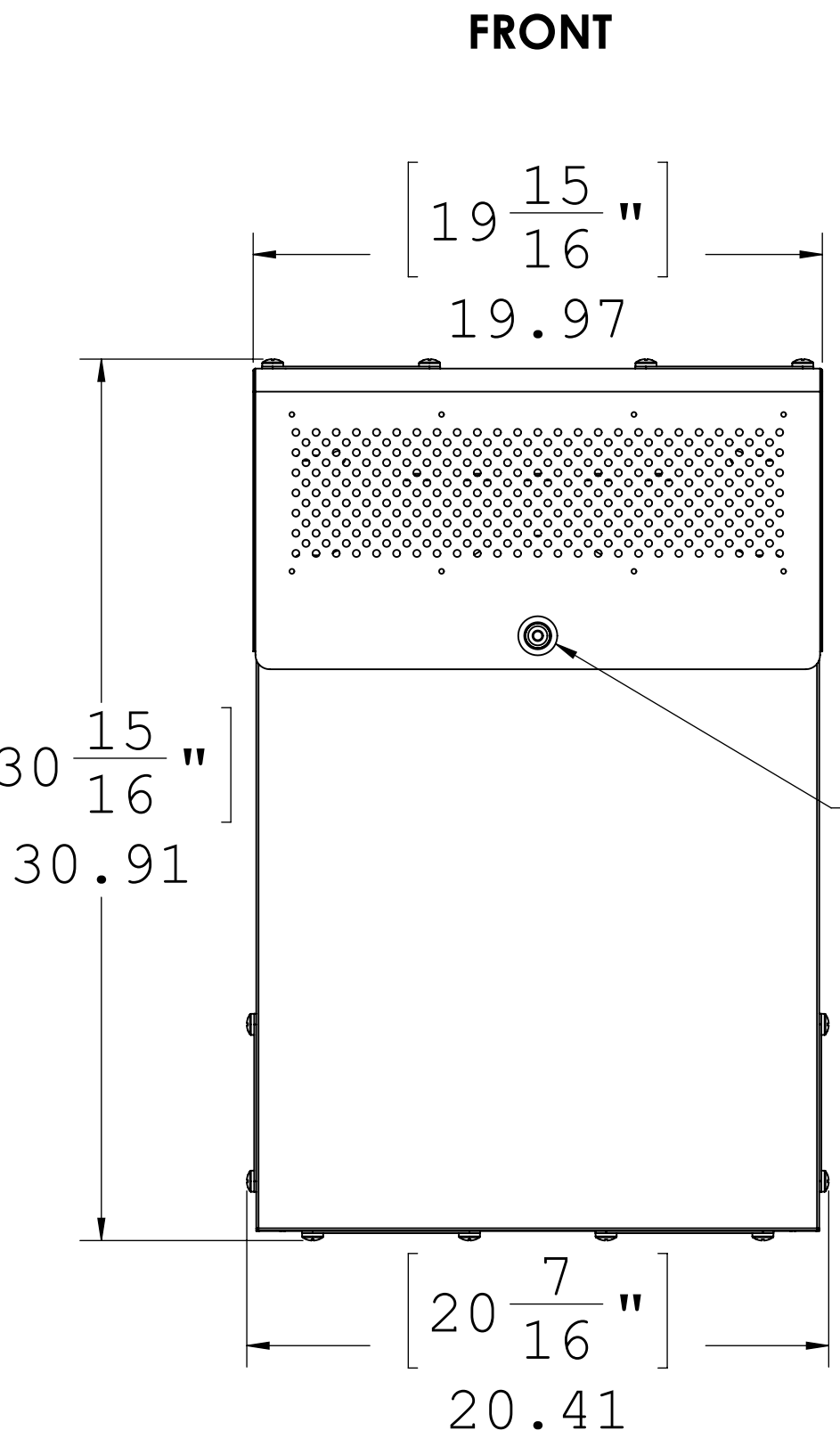


**PROPRIETARY AND CONFIDENTIAL**  
THE INFORMATION CONTAINED IN THIS DRAWING IS THE SOLE PROPERTY OF BLACKHAWKLABS. ANY REPRODUCTION IN PART OR AS A WHOLE WITHOUT THE WRITTEN PERMISSION OF BLACKHAWKLABS IS PROHIBITED.

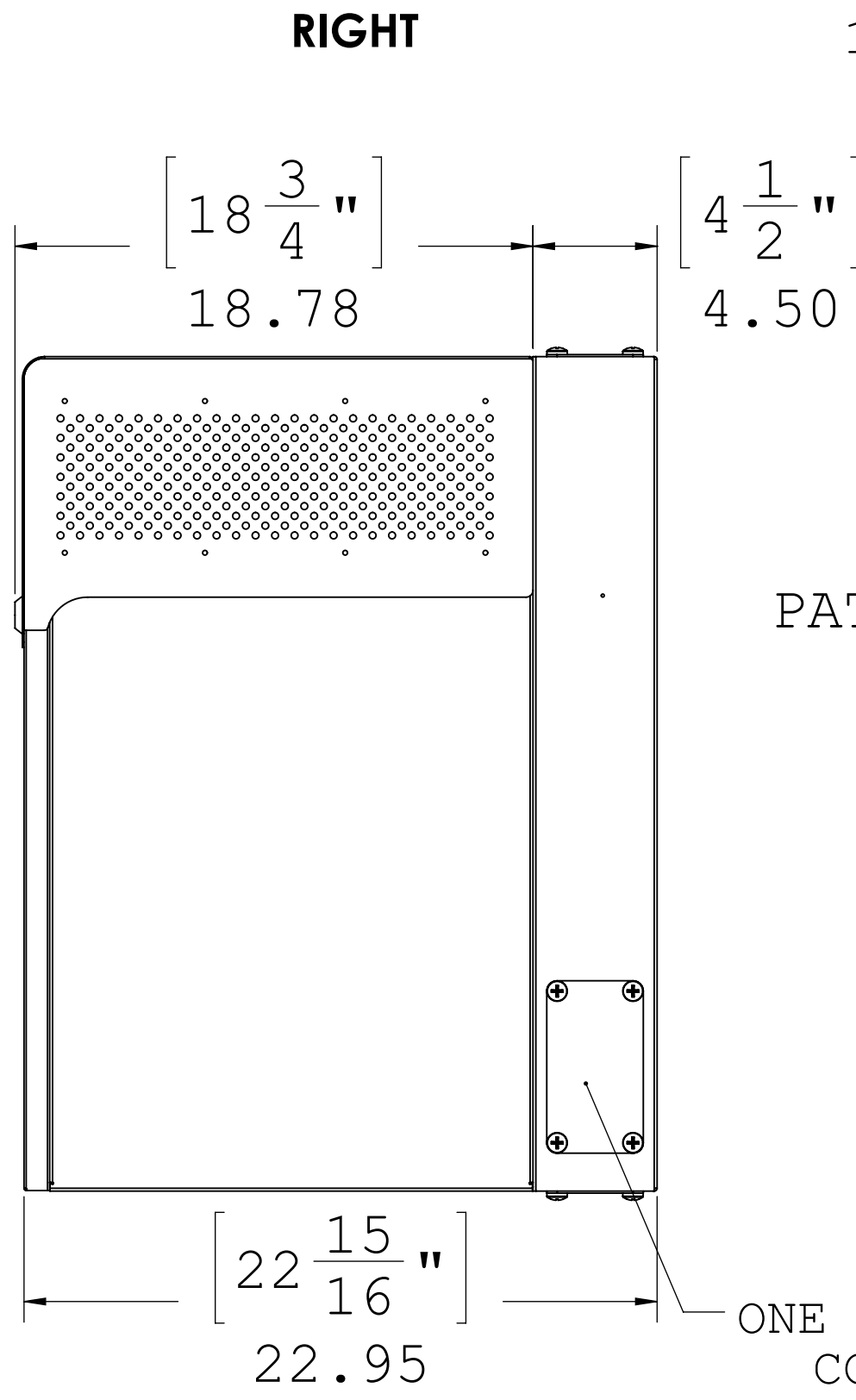
COMMENTS:			
MRQ351S16 Sheet 1/2			
TITLE: MiniRaQ Secure Compact			
SIZE <b>C</b>	DWG. NO. 90-072	DATE 3-6-11	REV 4
SCALE: 1:8		WEIGHT: 69 lbs	SHEET 1 OF 2



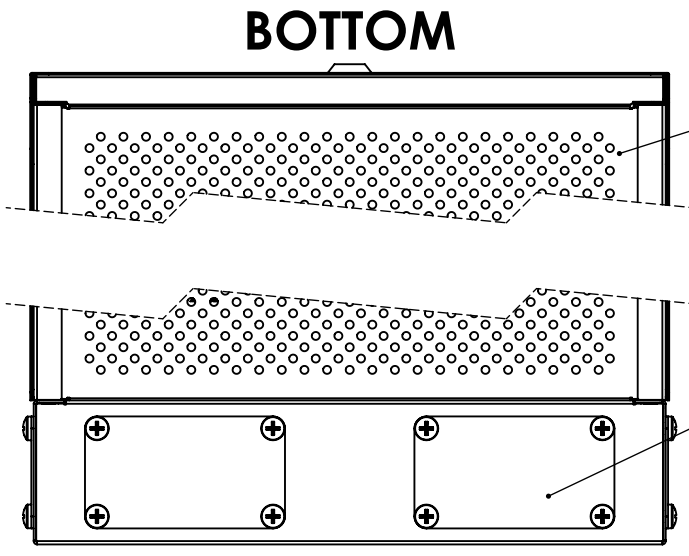
**TOP**



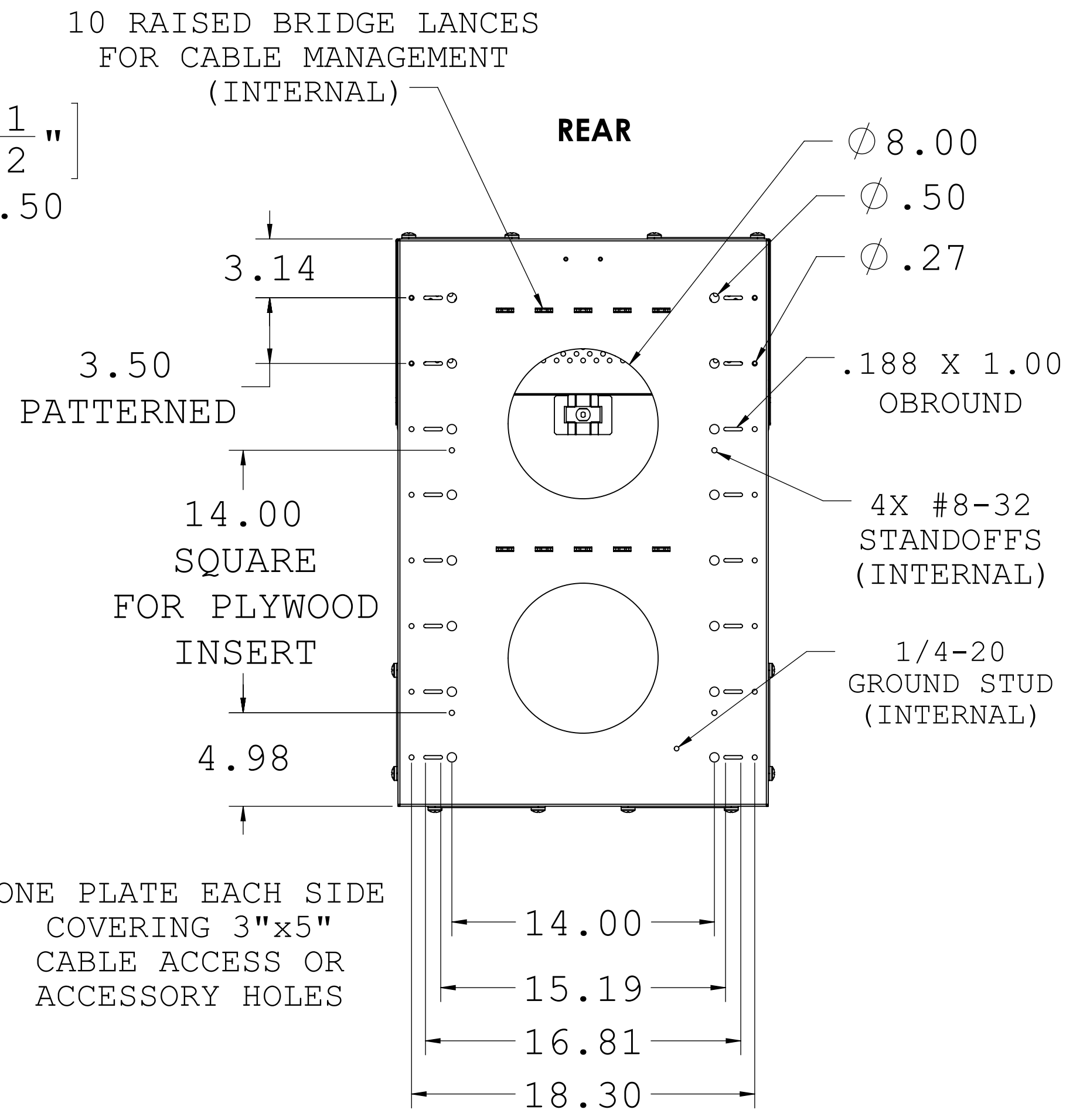
**FRONT**



**RIGHT**



**BOTTOM**



**REAR**

**NOTES:**  
 1. INSTALLATION MUST COMPLY WITH NATIONAL AND LOCAL ELECTRICAL REGULATIONS.  
 2. ALL DIMENSIONS ARE IN INCHES.



**PROPRIETARY AND CONFIDENTIAL**  
 THE INFORMATION CONTAINED IN THIS DRAWING IS THE SOLE PROPERTY OF BLACKHAWKLABS. ANY REPRODUCTION IN PART OR AS A WHOLE WITHOUT THE WRITTEN PERMISSION OF BLACKHAWKLABS IS PROHIBITED.

COMMENTS:			
MRQ351S16 Sheet 2/2			
TITLE: MiniRaQ Secure Compact			
SIZE <b>C</b>	DWG. NO. 90-072	DATE 3-6-11	REV <b>4</b>
SCALE: 1:6		WEIGHT: 69 lbs	SHEET 2 OF 2